

Service  
Service  
Service

FL1.10  
FL2.14  
FL2.16

FL1.14  
FL1.16  
FL1.17

FL

AA

93.05

# Service Information

This service information is intended for chassis FLX.10, FLX.14 and FLX.16 (1993 programme).

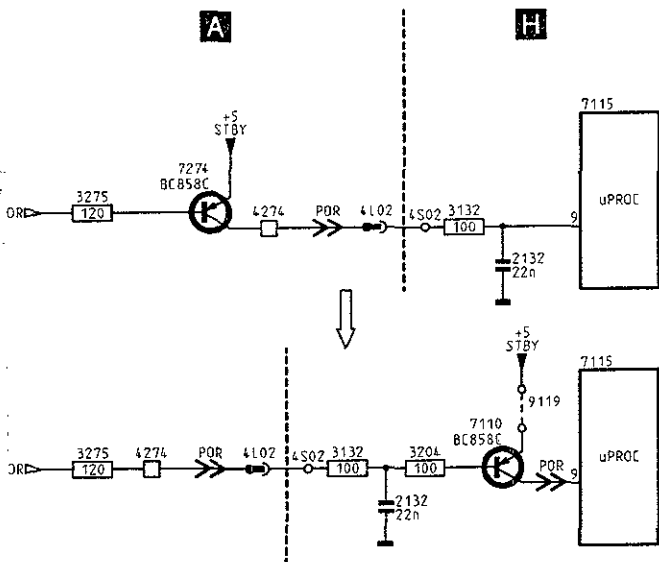
## 1 Relocation of POR transistor (TS7274, diagram A) from LSP to SSP (7110, diagram H).

Applies to chassis FLX.10, FLX.14 and FLX.16 from AG01.  
Applies to chassis FL1.17 and FL1.14 36" from introduction.

To improve the ESD behaviour transistor TS7274 has been replaced by jumper 4274 on the large signal panel (LSP). The jumper connects the base with the collector connection of TS7274.

On the small signal panel (SSP) transistor TS7110 has been placed between resistor R3132 and P9 of the microprocessor in diagram H. A resistor R3204 has also been placed between the base of TS7110 and resistor R3132.

The figure below clarifies the relocation.



CL36532117/013, F161

## 2 Introduction 29" SF picture tube

In order to drive the 29" SF (Super Flat) picture tube, in addition to the 25, 28 and 33" picture tubes, a modified copper lay-out is present in sets FLX.16/17 AA from AG≥10. The modified LSP will also be used for the screen sizes (25, 28 and 33" 4:3).

Amendment of the Service Manual for chassis FLX.14/.16/.17 AA for the 29" SF picture tube is made by replacing the pages with diagrams A, B and E and adding a page with the new LSP lay-out with accompanying parts list. The replacement pages accompany this Service Information.

Replace the following pages in the aforementioned Service Manual:

6/7	Diagram B FLX.16
10/11	Diagram A FLX.16
14/15	Diagram E

Add the following page:

36/37	LSP PWB lay-out FLX.16/.17 AG≥10
-------	----------------------------------

Parts list LSP [A,B,G]

Parts list picture tube panel [E] FLX.14/.16 and FL1.17

## 3 Software

All abovementioned chassis are controlled by one software version (256kB EPROM), with exception to the FL1.14 36" with SAT box. The software is not suitable for use in any but the abovementioned chassis.

The  $\mu$ -processor panel (control panel) in which this software can be located is a 256k/8k (ROM/RAM) version.

Software	4822 900 10423
Control panel	256k/8k 4822 212 30803

## 4 Error message indication only in Service Mode

In all the abovementioned chassis possible error messages are only indicated by the LED's following the activation of one of both service modes by shorting the service pins on the small signal panel (see chapter 7 and 8 of the Service Manual).

## 5 Matched pair line transistors FLX.16 and FLX.17

(Also applies to all FL1.1, FL1.6 and FL1.7 chassis). In the FLX.16 and FLX.17 two line transistors operating in parallel are used (TS7504/7506), (not for the 29" SF picture tube). To ensure reliable behaviour these transistors should be as identical to one another as possible. Matched pairs are fitted during production. A matched pair for service is supplied under code number: 2x ON4673 matched pair 4822 130 62934

## 6 SAT box in FL1.14

The 36" FL1.14 is equipped with the SAT box. For the service manual for the SAT box please refer to the service manual FL1.2 AB/BB or FL1-PTV AA.

FL1-PTV AA (GB) 4822 727 19627  
FL1-PTV AA (D) 4822 727 19628

## 7 Overview LSP/SSP cover panels (rear side)

1993 programme

Type	Code number	Connections <sup>1)</sup>
LSP cover/bracket FL1.14 SAT	4822 432 92835	Sq, Cl, Ex
LSP cover FL1.16	4822 432 92743	Sq, Cl
LSP cover FL1.7/17 +ext.squeeters	4822 432 93155	Sq
LSP cover FL1.17/FL1.10	4822 432 92991	
LSP cover/bracket FL2.14	4822 432 92839	Cl, Ex
LSP cover FL2.16	4822 432 92695	Cl
SSP cover FL1.14 SAT	4822 432 92838	
SSP cover FL1.16	4822 432 92767	
SSP cover FL1.17/FL1.10	4822 432 93138	
SSP cover FL2.14/16	4822 466 93249	

<sup>1)</sup> Sq: With hole for squeeter plugs (DIN) (ext. squeeters)  
Cl: With hole for click-fits (ext. loudspeakers)  
Ex: Version with holder for extra PWB

## 8 Option codes

The option code tables have been expanded with the introduction of FL1.17.

Applies to chassis FLX.14 and FLX.16 from AG01.  
Applies to chassis FL1.10 and FL1.17 from introduction.  
Option code 3 see Service manual FLX.14/.16/.17 AA.

Optioncode 2	
Nbr.	Function
1	<b>Not in use, except:</b> FL1.14 36": IC7175 present on the SSP
2	<b>Not in use</b>
4	<b>100Hz</b> 0 for 50Hz or 100Hz-ECO (FL1.17) 1 for 100Hz (FL1.7) or 100Hz Digital Scan See number 64 further.
8	<b>Not in use</b>
16	<b>Not in use</b>
32	<b>Not in use, except:</b> For FL1.14 36" with NICAM this bit must be selected together with number 64 from option code 1.
64	<b>100Hz</b> 0 for 100Hz (FL1.7) or 50Hz 1 for 100Hz-ECO (FL1.17) 1 for 100Hz Digital Scan (FIX.14/.16) See number 4 further.
128	<b>Motorola Comb-filter (FL1.10 only)</b> Select this bit for sets with a comb-filter with IC7000 = MC141625 on the comb-filter module (number 16 of option code 4 should now be zero).

Optioncode 1	
Nbr.	Function
0	<b>Front end = FQ916</b> A reception of PAL BG or PAL BG and SECAM BG is now possible
1	<b>Front-End = FQ944</b> Only reception of the UHF band is now possible
2	<b>Front end = FQ916/ME/IF</b> Reception of SECAM L but not of SECAM L' is now possible (reception of NTSC-M is now usually also possible).
4	<b>Front end =FQ916/MF/IF</b> Reception of both SECAM L and SECAM L' is now possible (NTSC M reception is generally possible now via the Euroconnector).
8	<b>PIP module present</b> This makes it possible to show PIP (Picture in Picture) displays.
16	<b>NTSC-M reception possible</b> This is normally always in combination with front end FQ916/ME/IF
32	<b>SECAM DK module fitted</b> In this case transmissions using the SECAM DK system can also be received.
64	<b>NICAM module fitted</b> In this case the digital sound with NICAM transmission can be received.
128	<b>Second front end for PIP fitted</b> If this second front end is fitted a second transmitter can be displayed in the PIP picture. The PIP function (number 8) still applies.

Optioncode 4	
Nbr.	Function
1	<b>Teletext Peaking Filter on/off for LFR box (Scandinavia)</b> In Scandinavia this number must be selected .
2	<b>50Hz-PIP in a 100Hz set</b> Applies to FL1.17. Applies to Digital Scan sets (FLX.14/.16) with the multi-PIP possibility. (This option is 0 for the FL1.14 36" (no multi-PIP))
4	<b>FL2 model</b> When the operating buttons are located on the side of the set, the set is an FL2 model. (see chapter 4 also).
8	<b>16:9 picture tube with DAF (Dynamic Astigmatic Focus)</b> Recognisable by the potentiometers for 'Focus' and 'VG2 (SCREEN)'; these are located on the DAF unit instead of on the high voltage transformer (LOT).
16-64	<b>Not in use</b>
128	<b>Picture rotation possible (frame rotation)</b> Present in 16:9 sets with 28" or 32" picture tube.

Optie code 5	
Nbr.	Function
	<b>Not in use</b>

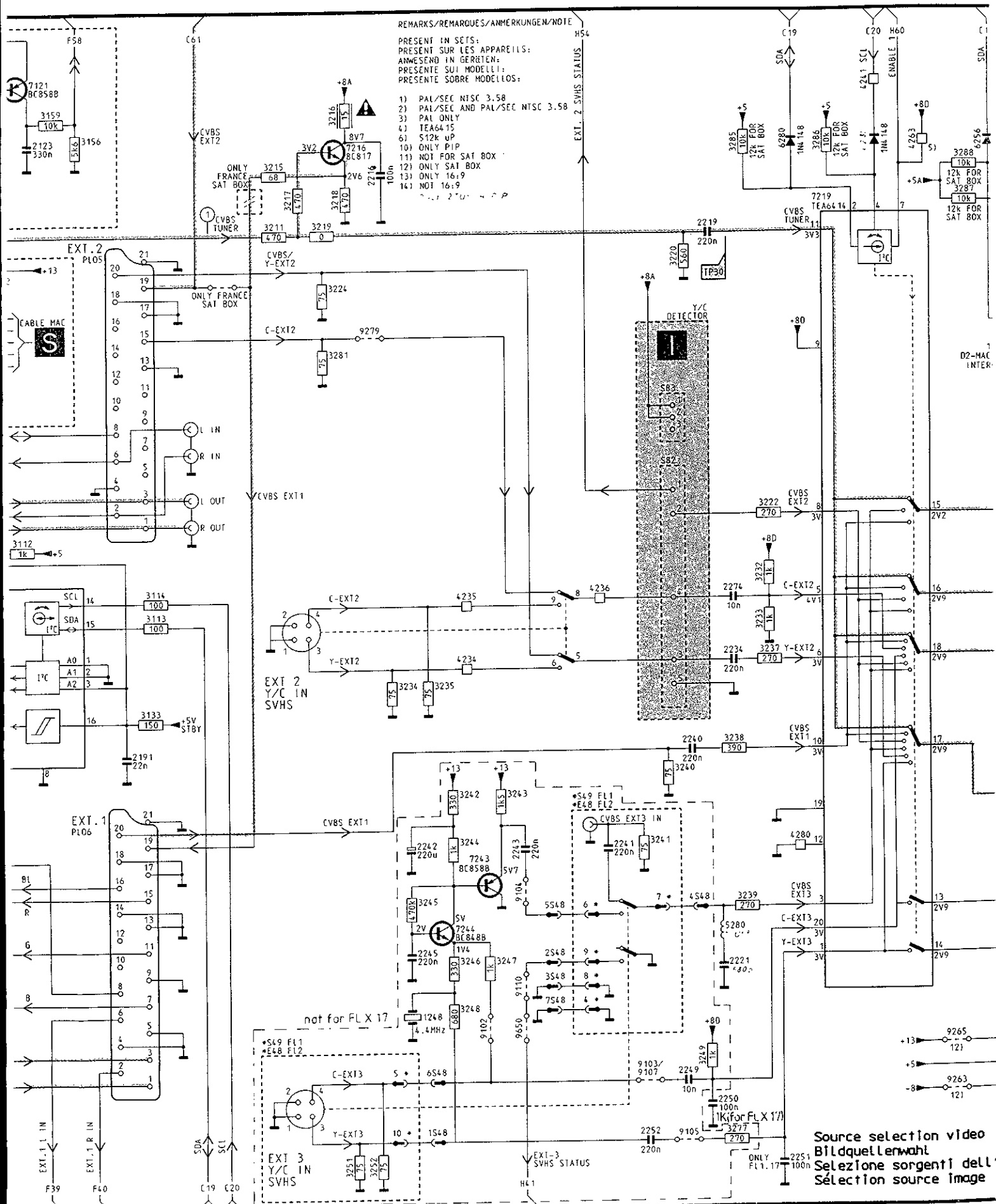


# Sélection de source

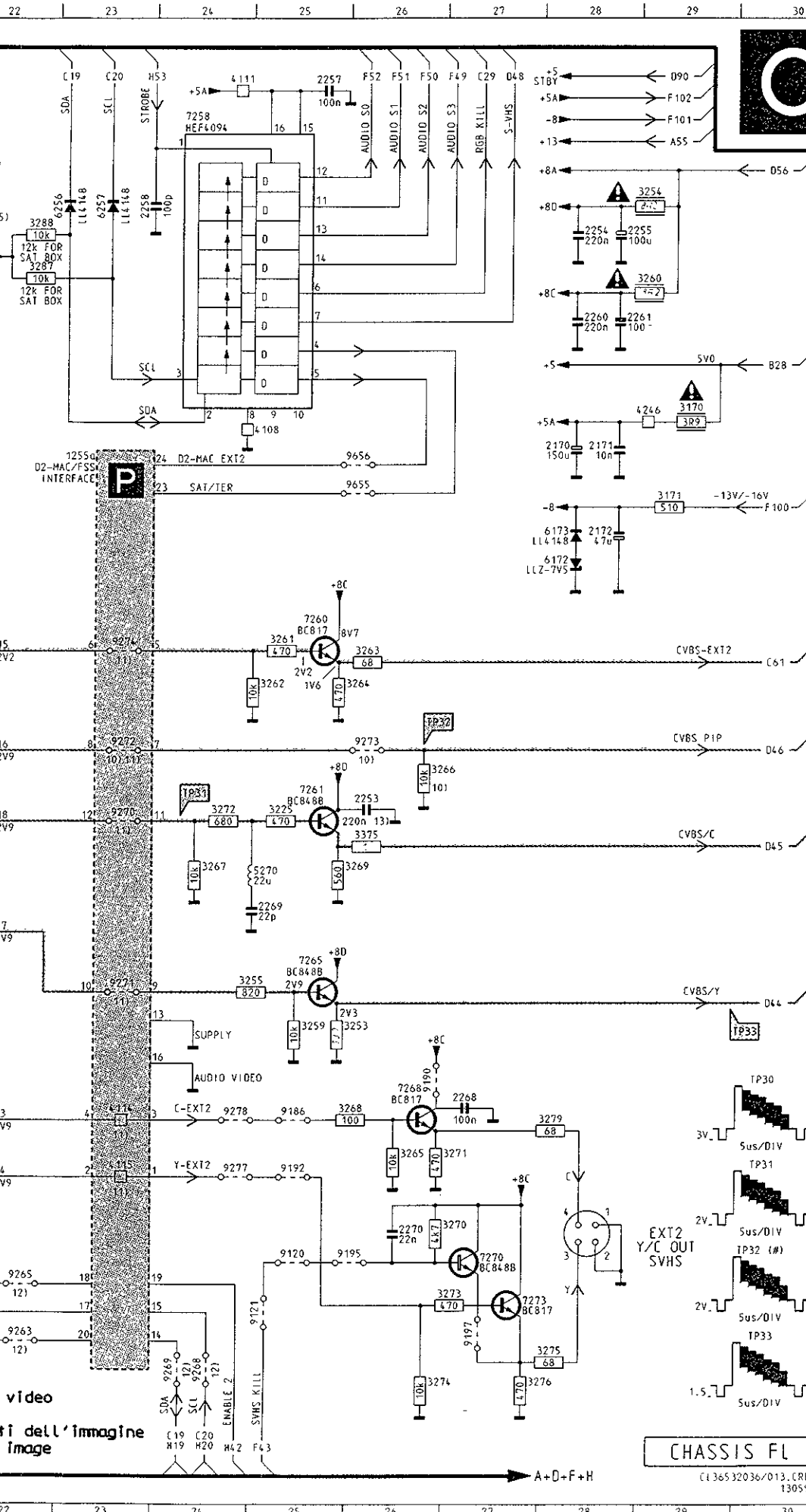
REMARKS/REMARQUES/ANMERKUNGEN/NOTE

PRESENT IN SETS:  
 PRESENT SUR LES APPAREILS:  
 ANWESEN IN GERÄTEN:  
 PRESENTE SUI MODELLI:  
 PRESENTE SOBRE MODELOS:

- 1) PAL/SEC NTSC 3.58
- 2) PAL/SEC AND PAL/SEC NTSC 3.58
- 3) PAL ONLY
- 4) TEA6415
- 6) 512K UP
- 10) ONLY P1/P
- 11) NOT FOR SAT BOX
- 12) ONLY SAT BOX
- 13) ONLY 16:9
- 14) NOT 16:9



Source selection video  
 Bildquellenwahl  
 Selezione sorgenti dell'  
 Sélection source image

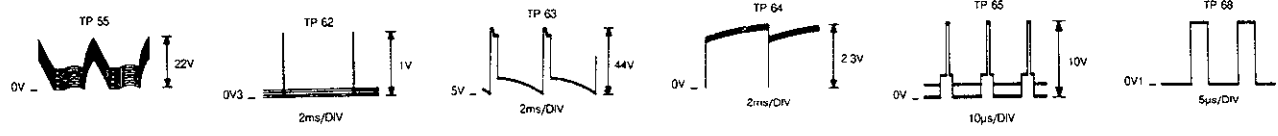


1160	C 2	3237	120	9197	N27
1162	D 8	3238	119	9263	N22
1248	M16	3239	L20	9265	M22
1255	E23	3240	J19	9268	N24
2120	B 7	3241	K18	9269	N24
2121	A 8	3242	J16	9270	L23
2122	A10	3243	J17	9271	J23
2123	B11	3244	K16	9272	H23
2124	B 6	3245	L16	9273	H26
2160	A 6	3246	L16	9274	G23
2162	D 7	3247	L16	9277	L24
2163	E 2	3248	M16	9278	L24
2164	E 2	3249	N19	9279	E15
2165	A 4	3251	O15	9650	M17
2168	C 9	3252	O15	9655	E26
2169	C10	3253	K25	9656	E26
2170	E28	3254	B29		
2171	E28	3255	J25		
2172	F28	3259	K25		
2180	B 5	3260	C29		
2181	D 6	3261	G25		
2188	I 7	3262	G25		
2189	J 7	3263	G26		
2190	H 7	3264	G25		
2191	J12	3265	L26		
2193	M 6	3266	H26		
2194	N 6	3267	L24		
2198	K 6	3268	L26		
2216	C15	3269	L25		
2219	C19	3270	M27		
2221	L19	3271	L27		
2234	I19	3272	L24		
2240	J19	3273	N27		
2241	K18	3274	M26		
2242	K15	3275	N28		
2243	K17	3276	N27		
2245	L15	3277	O19		
2249	N19	3279	L28		
2250	N19	3281	E14		
2251	O20	3285	B19		
2252	O18	3286	B21		
2253	H26	3286	B21		
2254	C28	3287	C22		
2255	C28	3288	B22		
2257	A25	3375	L26		
2258	B23	4108	E25		
2260	C28	4111	A24		
2261	C28	4114	L23		
2268	L27	4115	L23		
2269	J25	4130	M 3		
2270	M26	4161	B 7		
2274	H19	4162	O10		
3112	G11	4170	I 9		
3113	H12	4171	I 8		
3114	H12	4175	J 9		
3133	L12	4234	L16		
3151	A 7	4235	H16		
3153	A 8	4236	H18		
3154	B 8	4241	B21		
3155	A 9	4246	D29		
3156	B11	4263	B22		
3159	B11	4280	X20		
3160	A 5	5270	I25		
3161	B 9	5280	L19		
3162	A 5	6112	G 6		
3163	D 2	6120	A 9		
3164	F 3	6121	A 9		
3165	F 3	6163	E 2		
3167	C10	6165	I 6		
3168	B10	6166	I 6		
3170	D29	6168	B 9		
3171	E29	6172	F28		
3172	B 4	6173	F28		
3175	I 7	6178	F 6		
3176	J 7	6256	B23		
3177	I 7	6257	B23		
3178	H 7	6280	B20		
3180	I 2	7120	B 8		
3181	J 3	7121	B11		
3182	I 3	7175	H 9		
3183	K 3	7176	H 8		
3184	J 4	7177	I 8		
3185	K 4	7178	H 8		
3186	K 3	7182	J 3		
3187	L 8	7183	K 3		
3189	J 5	7186	K 2		
3190	H 7	7188	J 6		
3191	J 5	7193	M 2		
3192	J 7	7216	B15		
3193	M 6	7219	C20		
3194	N 6	7243	K16		
3196	M 5	7244	L16		
3197	N 5	7258	A24		
3200	J 9	7260	G25		
3201	J 9	7261	H25		
3202	M 8	7265	J25		
3205	L 9	7268	K26		
3206	L 9	7270	M27		
3207	M10	7273	N27		
3208	N10	9098	B 3		
3209	N10	9102	M16		
3210	N 9	9103	N18		
3211	C14	9104	K17		
3215	C14	9105	O19		
3216	B15	9110	M17		
3217	C14	9120	M25		
3218	C15	9121	N25		
3219	C14	9142	M 9		
3220	O19	9143	L 9		
3222	G20	9148	B 6		
3224	O14	9167	D 8		
3225	I25	9168	D 8		
3232	H20	9186	L25		
3233	H20	9190	K26		
3234	I15	9192	L25		
3235	I16	9195	M26		

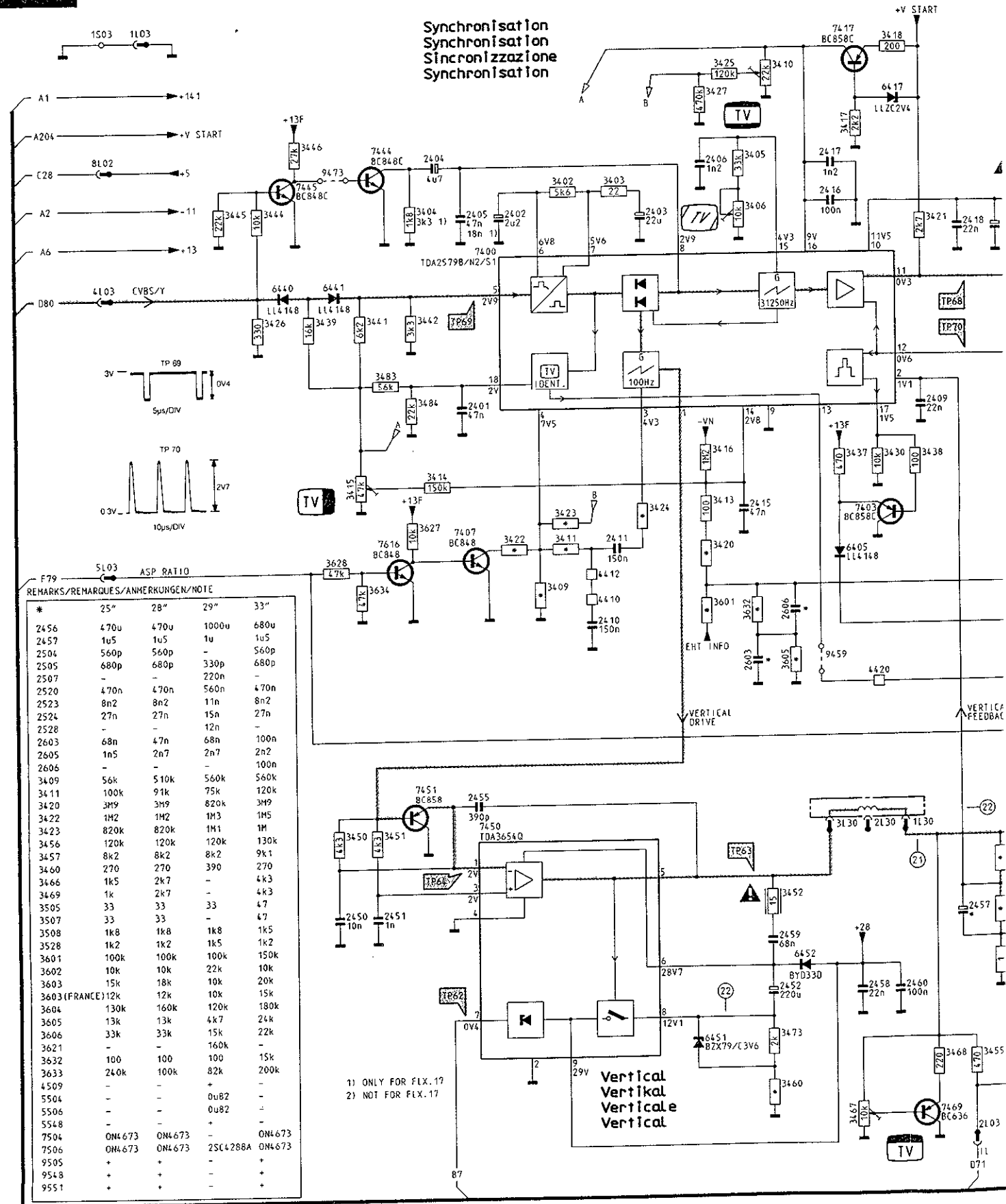
ion video  
hl  
genti dell'immagine  
nce Image

CHASSIS FL  
C1365 32036/013, CREF  
130593

# Synchronization / Synchronisierung /



Synchronisation  
Synchronisation  
Sincronizzazione  
Synchronisation

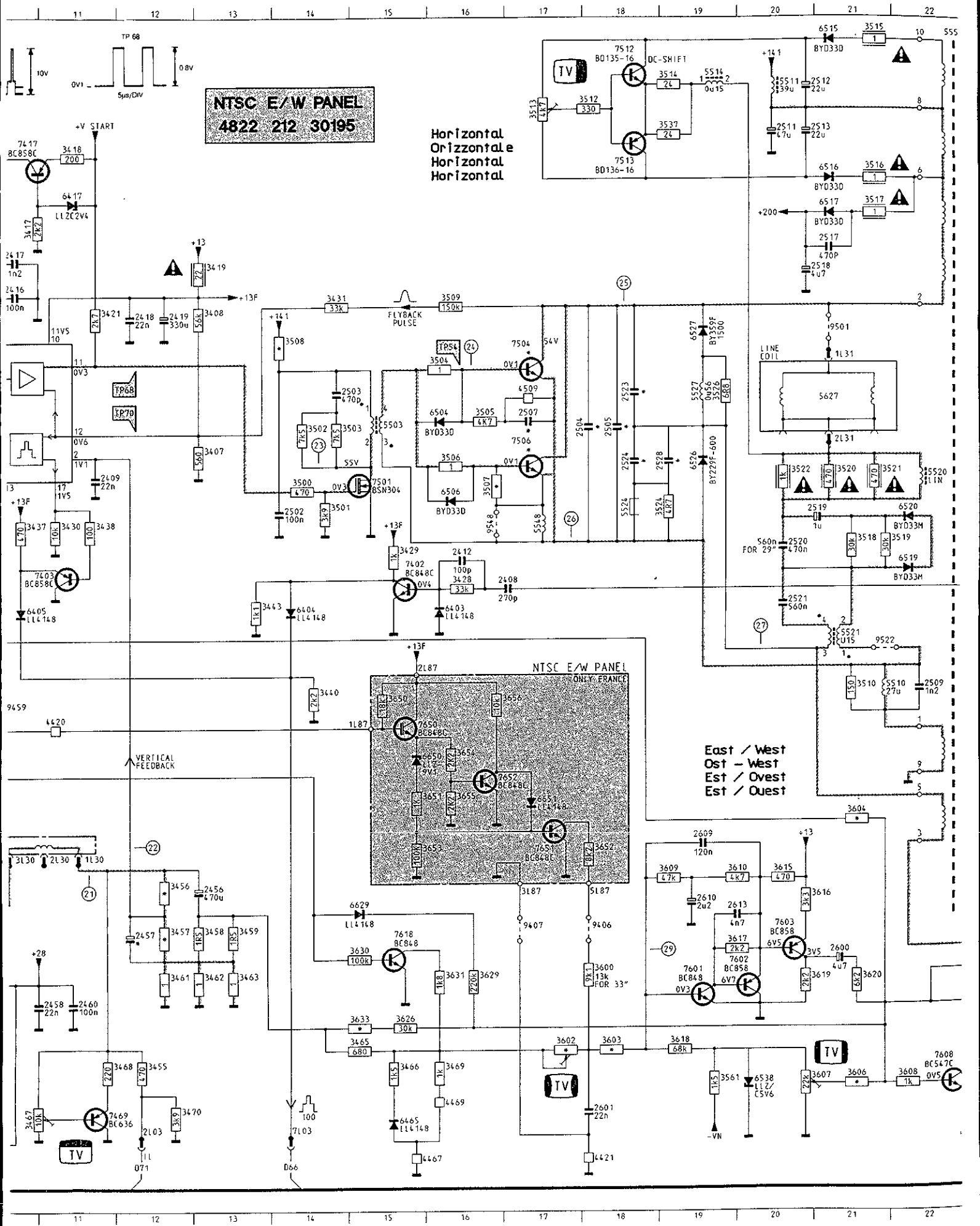


REMARKS/REMARQUES/ANMERKUNGEN/NOTE

	25"	28"	29"	33"
* 2456	470u	470u	1000u	680u
2457	1u5	1u5	1u	1u5
2504	560p	560p	-	560p
2505	680p	680p	330p	680p
2507	-	-	220n	-
2520	470n	470n	560n	470n
2523	8n2	8n2	11n	8n2
2524	27n	27n	15n	27n
2528	-	-	12n	-
2603	68n	47n	68n	100n
2605	1n5	2n7	2n7	2n2
2606	-	-	-	100n
3409	56k	510k	560k	560k
3411	100k	91k	75k	120k
3420	3M9	3M9	820k	3M9
3422	1M2	1M2	1M3	1M5
3423	820k	820k	1M1	1M
3456	120k	120k	120k	130k
3457	8k2	8k2	8k2	9k1
3460	270	270	390	270
3466	1k5	2k7	-	4k3
3469	1k	2k7	-	4k3
3505	33	33	33	47
3507	33	33	-	47
3508	1k8	1k8	1k8	1k5
3528	1k2	1k2	1k2	1k2
3601	100k	100k	100k	150k
3602	10k	10k	22k	10k
3603	15k	18k	10k	20k
3603 (FRANCE)	12k	12k	10k	15k
3604	130k	160k	120k	180k
3605	13k	13k	4k7	2k4
3606	33k	33k	15k	22k
3621	-	-	160k	-
3632	100	100	100	15k
3633	240k	100k	82k	200k
4509	-	-	+	-
5504	-	-	0u82	-
5506	-	-	0u82	-
5548	-	-	+	-
7504	ON4673	ON4673	-	ON4673
7506	ON4673	ON4673	2SC4288A	ON4673
9505	+	+	-	+
9548	+	+	-	+
9551	+	+	-	+

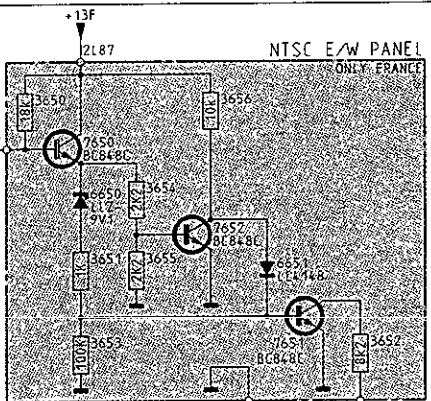
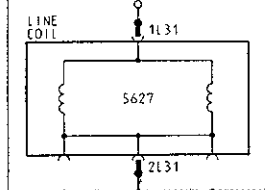
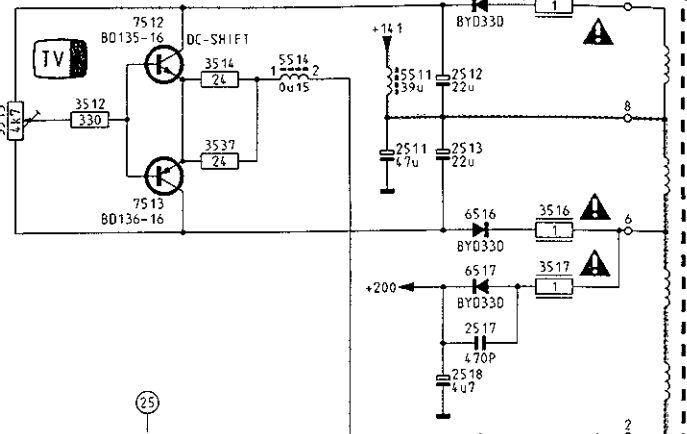
1) ONLY FOR FLX.17  
2) NOT FOR FLX.17

Vertical  
Vertical  
Verticale  
Vertical

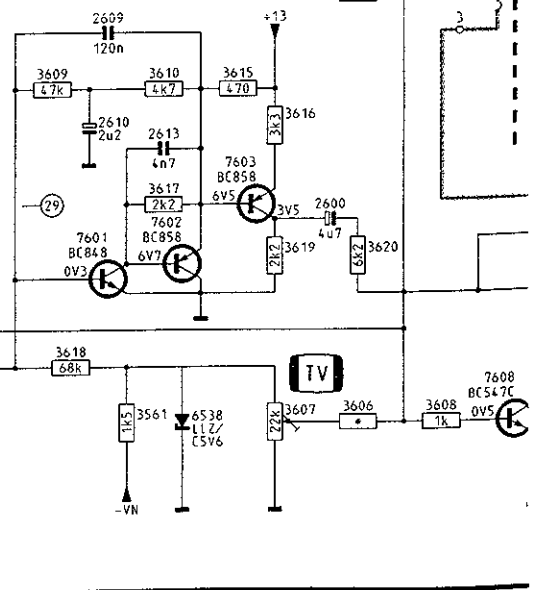


NTSC E/W PANEL  
4822 212 30195

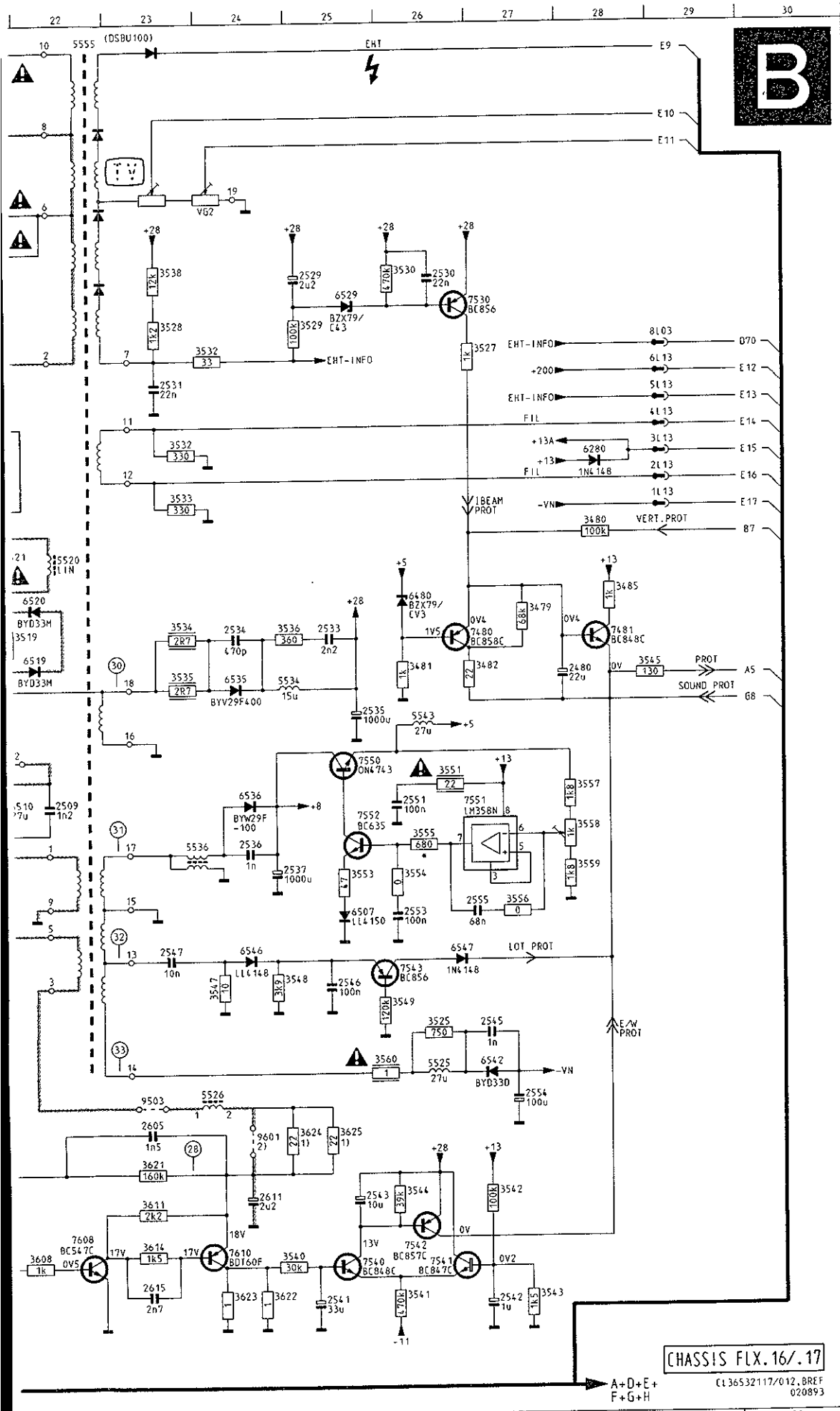
Horizontal  
Horizontal  
Horizontal  
Horizontal



East / West  
Ost - West  
Est / Ovest  
Est / Ouest



# Synchronisation

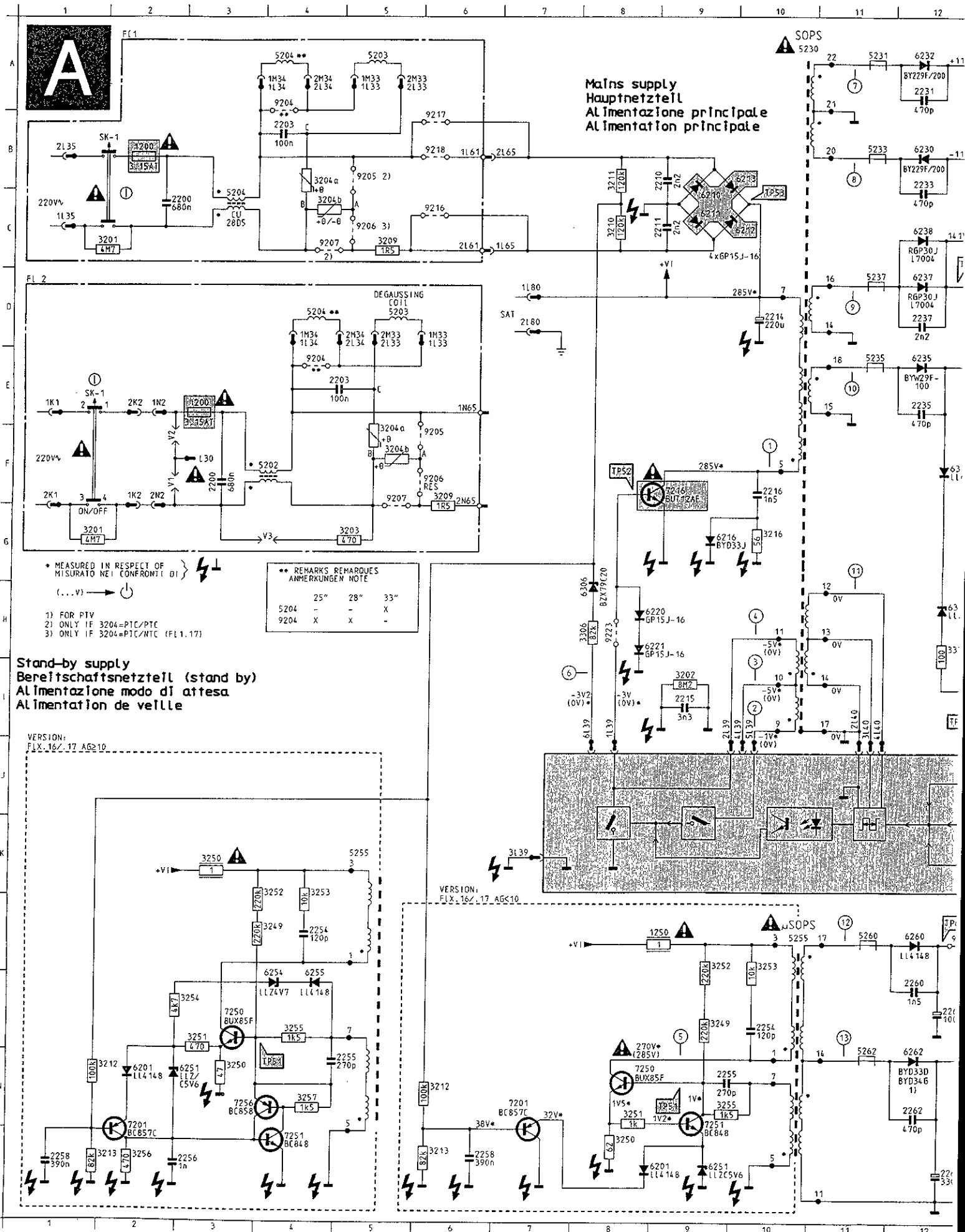


2401	F 6	3458	L13	4410	H 7
2402	D 6	3459	L13	4412	H 7
2403	D 8	3460	N10	4420	I 11
2404	C 6	3461	M12	4421	O18
2405	D 6	3462	M13	4467	O15
2406	C 9	3463	M13	4469	N16
2408	H17	3465	N15	4509	E17
2409	F11	3466	N15	5503	F15
2410	I 7	3467	N10	5510	I21
2411	H 8	3468	N11	5511	A20
2412	G16	3469	N16	5514	A19
2415	G 9	3470	N12	5520	F22
2416	D10	3473	M10	5521	H21
2417	C10	3479	G27	5524	G18
2418	D12	3480	F28	5525	L26
2419	D12	3481	G26	5526	L24
2450	L 5	3482	G27	5527	E19
2451	L 5	3483	F 5	5534	H25
2452	H10	3484	F 5	5536	L23
2455	K 6	3485	F28	5543	H26
2456	L13	3500	F14	5548	G17
2457	L12	3501	G14	5555	A22
2458	M11	3502	F14	5627	E21
2459	L10	3503	F14	6280	E28
2460	M11	3504	E16	6403	H16
2480	G28	3505	E16	6404	H14
2502	G14	3506	F16	6405	H10
2503	E14	3507	F16	6417	C11
2504	F18	3508	D14	6440	E 4
2505	F18	3509	D16	6441	E 4
2507	E17	3510	I21	6451	N 9
2509	I22	3512	A18	6452	M10
2511	B20	3513	B17	6465	O15
2512	A20	3514	A19	6480	G26
2513	B20	3515	A21	6504	E16
2517	C21	3516	B21	6506	F16
2518	D20	3517	C21	6507	J25
2519	G21	3518	G21	6515	A21
2520	G20	3519	G21	6516	B21
2521	H20	3520	F21	6517	C21
2523	E18	3521	F21	6519	G22
2524	F18	3522	F20	6520	G22
2528	F19	3524	G19	6526	F19
2529	C25	3525	K26	6527	D19
2530	C26	3526	E19	6529	C25
2531	D23	3527	D27	6535	K24
2533	G25	3528	D23	6536	L24
2534	G24	3529	D25	6538	N20
2535	H25	3530	C26	6542	L27
2536	I24	3532	E23	6546	K24
2537	J24	3532	G24	6547	K26
2541	N25	3533	F23	6629	L15
2542	N27	3534	G23	6650	J15
2543	H25	3535	G23	6651	J17
2544	K27	3536	H25	7400	D 6
2546	K25	3537	B19	7402	G15
2547	K23	3538	C23	7403	G11
2551	I26	3540	M25	7407	H 6
2553	J26	3541	N26	7417	B10
2554	L27	3542	M27	7444	C 5
2555	J27	3543	N27	7445	D 4
2600	L21	3544	M26	7450	K 6
2601	N18	3545	G29	7451	K 5
2603	I 9	3547	K24	7469	N11
2605	H23	3548	K24	7480	G27
2606	I10	3549	K26	7481	G28
2609	K19	3551	I26	7501	F15
2610	L19	3553	J25	7504	E17
2611	H24	3554	J26	7506	F17
2613	L20	3555	I26	7512	A18
2615	H23	3556	J27	7513	B18
3402	D 7	3557	I28	7530	C27
3403	D 8	3558	I28	7540	N25
3404	D 5	3559	J28	7541	N26
3405	C 9	3560	I26	7542	N26
3406	D 9	3561	N19	7543	K26
3407	F13	3600	L18	7550	I25
3408	D13	3601	H 9	7551	I26
3409	H 7	3602	N17	7552	I25
3410	B10	3603	N18	7601	M19
3411	H 7	3604	K21	7602	M20
3413	G 9	3605	I10	7603	L20
3414	G 6	3606	N21	7608	N22
3415	G 5	3607	N20	7610	N24
3416	G 9	3608	N22	7616	H 5
3417	C10	3609	K19	7618	L15
3418	B11	3610	X20	7650	I15
3419	C13	3611	M23	7651	K17
3420	H 9	3614	N23	7652	J16
3421	D11	3615	K20	9406	L18
3422	H 7	3616	L20	9407	L17
3423	G 7	3617	L20	9459	I10
3424	G 8	3618	N19	9473	C 4
3425	B 9	3619	M20	9501	D21
3426	E 4	3620	M21	9503	L23
3427	C 9	3621	M23	9522	H21
3428	H16	3622	N24	9548	G16
3429	G15	3623	N24	9601	N24
3430	G11	3624	M25		
3431	D14	3625	M25		
3437	G10	3626	H15		
3438	G11	3627	H 5		
3439	E 4	3628	H 4		
3440	I14	3629	M16		
3441	E 5	3630	L15		
3442	E 5	3631	K26		
3443	H13	3632	I 9		
3444	D 4	3633	M15		
3445	D 3	3634	H 5		
3446	C 4	3650	L15		
3450	K 5	3651	J15		
3451	K 5	3652	K18		
3452	L10	3653	K15		
3455	N12	3654	J16		
3456	K12	3655	J16		
3457	L12	3656	I16		

CHASSIS FLX. 16/.17  
CL36532117/012, BREF 020893





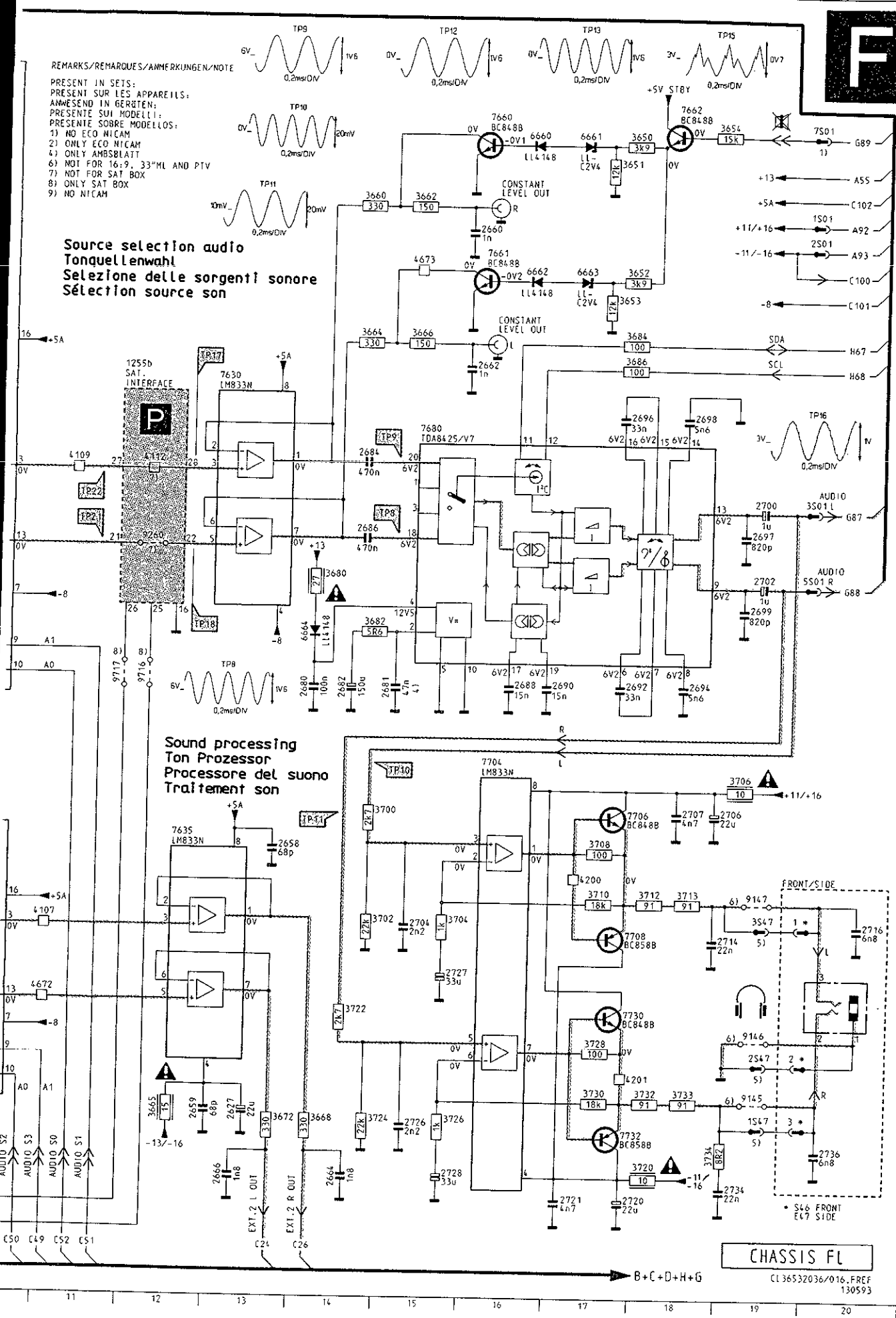


# Traitement audio

REMARKS/REMARQUES/ANMERKUNGEN/NOTE

PRESENT IN SETS:  
 PRESENT SUR LES APPAREILS:  
 ANWESENDE IN GERÄTEN:  
 PRESENTE SUI MODELLI:  
 PRESENTE SOBRE MODELOS:  
 1) NO ECO NICAM  
 2) ONLY ECO NICAM  
 4) ONLY AMBSBLATT  
 6) NOT FOR 16:9, 33"ML AND PTV  
 7) NOT FOR SAT BOX  
 8) ONLY SAT BOX  
 9) NO NICAM

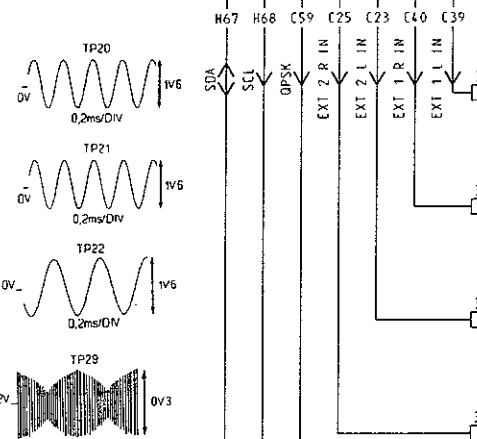
Source selection audio  
 Tonquellenwahl  
 Selezione delle sorgenti sonore  
 Sélection source son



1255	E11	4110	D
1600	E 2	4112	F
1602	M 1	4166	D
2600	G 2	4200	K
2602	H 1	4201	M
2604	E 2	4672	L
2606	N 3	4673	C
2608	H 2	6610	N
2620	H 5	6660	B
2622	H 4	6661	B
2624	B 6	6662	D
2626	A 7	6663	O
2627	M13	6664	H
2628	C 6	6665	I
2630	B 7	7600	A
2632	D 6	7620	J
2634	C 7	7622	A
2636	D 6	7630	J
2638	D 6	7635	J
2640	E 6	7660	B
2642	E 7	7661	C
2644	F 6	7662	C
2646	F 7	7680	E
2658	J13	7704	J
2659	M12	7706	J
2660	C16	7708	K
2662	E16	7730	L
2664	N14	7732	N
2666	N13	9145	M
2680	H14	9146	H
2681	H15	9147	K
2682	H14	9260	G
2684	F14	9641	G
2686	G14	9716	H
2688	H16	9717	H
2690	H16		
2692	H17		
2694	H18		
2696	E17		
2697	G19		
2698	E18		
2699	H19		
2700	F19		
2702	G19		
2704	K15		
2706	J18		
2707	J18		
2714	K18		
2716	K20		
2720	O17		
2721	O17		
2726	N15		
2727	L15		
2728	N15		
2734	N19		
2736	N20		
3600	E 2		
3602	F 1		
3603	H 1		
3604	G 1		
3605	H 1		
3606	M 3		
3608	M 4		
3610	M 4		
3612	M 6		
3620	H 5		
3622	H 3		
3624	A 6		
3626	B 7		
3628	B 6		
3630	C 7		
3632	C 6		
3634	C 7		
3636	D 6		
3638	O 7		
3640	E 6		
3642	E 7		
3644	F 6		
3646	F 7		
3650	B17		
3651	B17		
3652	O17		
3653	O17		
3654	B18		
3660	C14		
3662	C15		
3664	O14		
3665	M12		
3666	O15		
3668	N14		
3672	N13		
3680	G14		
3682	H14		
3684	O17		
3686	E17		
3700	J14		
3702	K14		
3704	K15		
3706	J19		
3708	J17		
3710	K17		
3712	K18		
3713	K18		
3716	N18		
3720	N18		
3722	L14		
3724	N14		
3726	N15		
3728	M17		
3730	M17		
3732	H18		
3733	M18		
3734	N18		
4105	G 4		
4106	G 5		
4107	K11		
4109	F11		

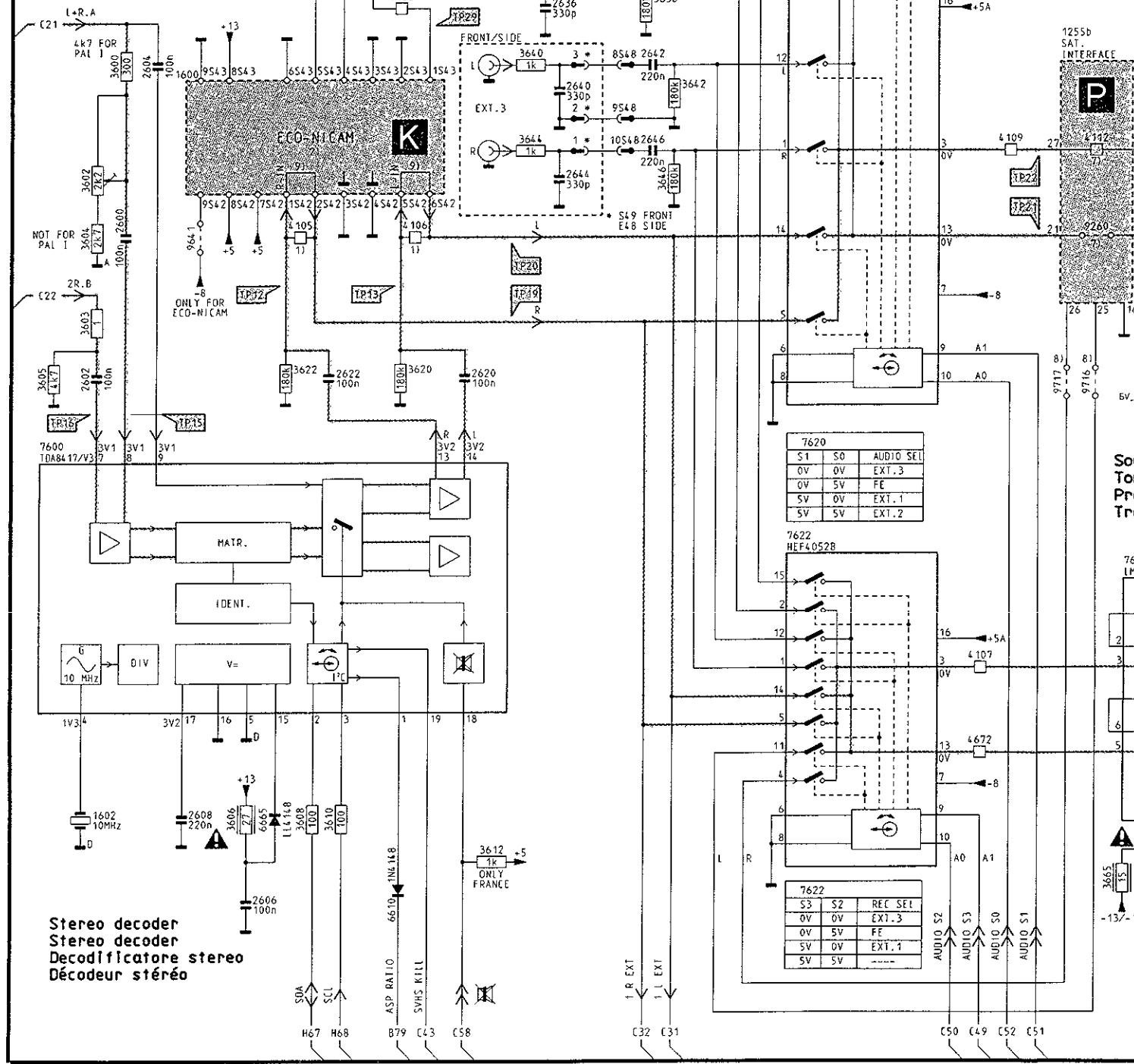
CHASSIS FL

CL 36532036/016.FREF  
130593



REMARKS/REMARQUES/ANMERKUNG  
 PRESENT IN SETS:  
 ANWESEND IN GERÄTEN:  
 PRESENTE SUI MODELLI:  
 PRESENTE SOBRE MODELOS:  
 1) NO ECO NICAM  
 2) ONLY ECO NICAM  
 4) ONLY AMBSBLATT  
 6) NOT FOR 16.9. 33"ML AND  
 7) NOT FOR SAT BOX  
 8) ONLY SAT BOX  
 9) NO NICAM

Source selection  
 Tonquellenwahl  
 Selezione delle  
 Selección source



S1	S0	AUDIO SEL
0V	0V	EXT.3
0V	5V	FE
5V	0V	EXT.1
5V	5V	EXT.2

S3	S2	REC SET
0V	0V	EXT.3
0V	5V	FE
5V	0V	EXT.1
5V	5V	---

Stereo decoder  
 Stereo decoder  
 Decodificatore stereo  
 Décodeur stéréo

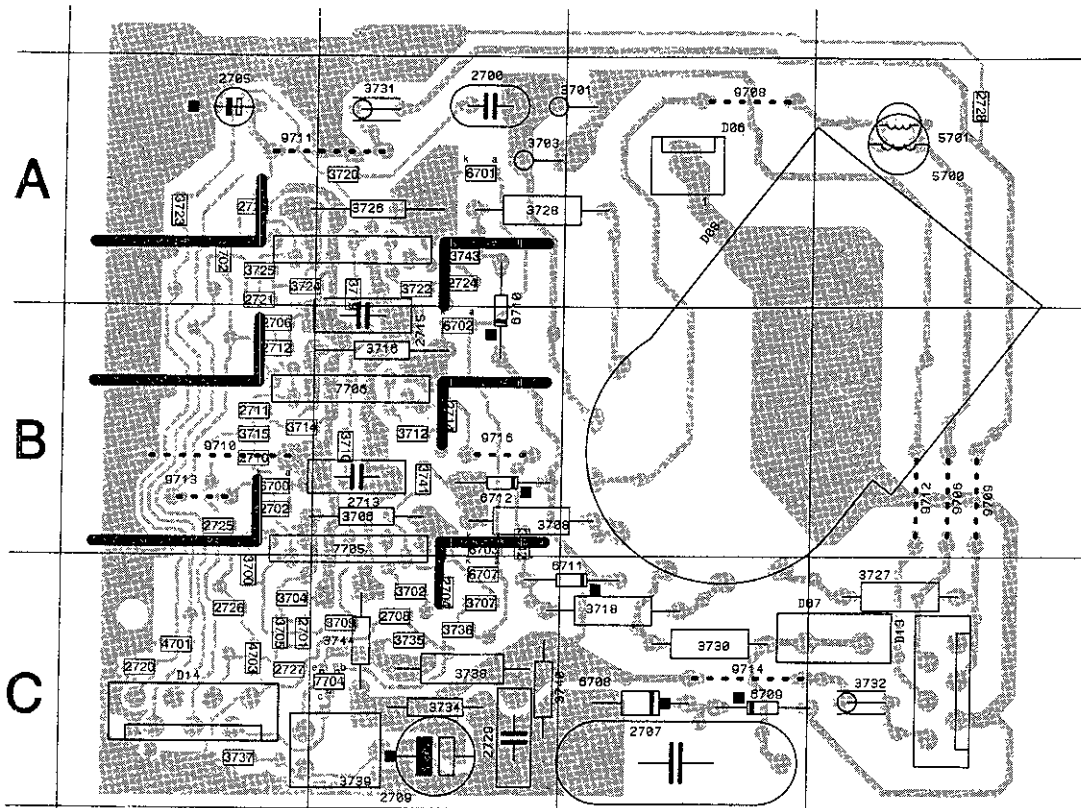
Source selection  
 Tonquellenwahl  
 Selezione delle  
 Selección source

ONLY FRANCE

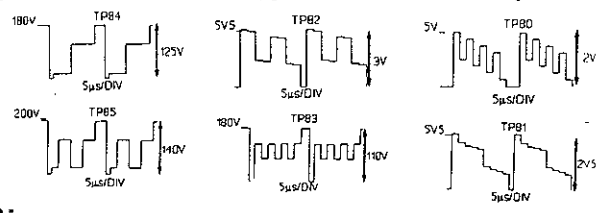


# Platines Tube-image

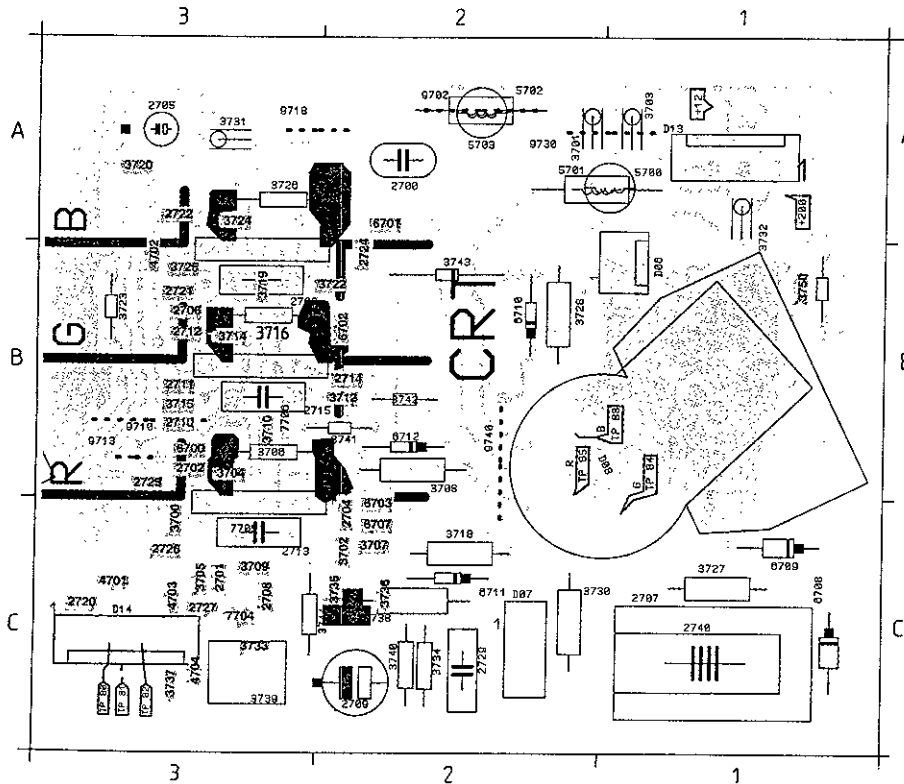
FL 1.14 videocolor picture tube (36"):



D06 A2	3708 B3	8701 A3
D07 C1	3709 C3	8702 B3
D08 B2	3710 B3	8703 B3
D13 C1	3712 B3	8707 C3
D14 C4	3714 B4	8708 C2
2700 A3	3715 B4	8709 C2
2701 C4	3716 B3	8710 B3
2702 B4	3718 C2	8711 C3
2704 C3	3719 A3	8712 B3
2705 A4	3720 A3	7704 C4
2706 B4	3722 A3	7706 B3
2707 C3	3723 A4	7706 B3
2708 C3	3724 A4	7707 A3
2709 C3	3725 A4	8706 B1
2710 B4	3726 A3	8708 A2
2711 B4	3727 C1	8709 B1
2712 B4	3728 A3	8710 B4
2713 B3	3730 C2	8711 A4
2714 B3	3731 A3	8712 B1
2716 B3	3732 C1	8713 B4
2720 C4	3734 C3	8714 C2
2721 A4	3736 C3	9716 B3
2722 A4	3738 C3	
2724 A3	3737 C4	
2725 B4	3738 C3	
2726 C4	3739 C3	
2727 C4	3740 C3	
2728 A1	3741 B3	
2729 C3	3742 B3	
3700 C4	3743 A3	
3701 A3	3744 C3	
3702 C3	4701 C4	
3703 A3	4702 A4	
3704 C4	4703 C4	
3705 C4	5700 A1	
3706 B3	6701 A1	
3707 C3	6700 B4	

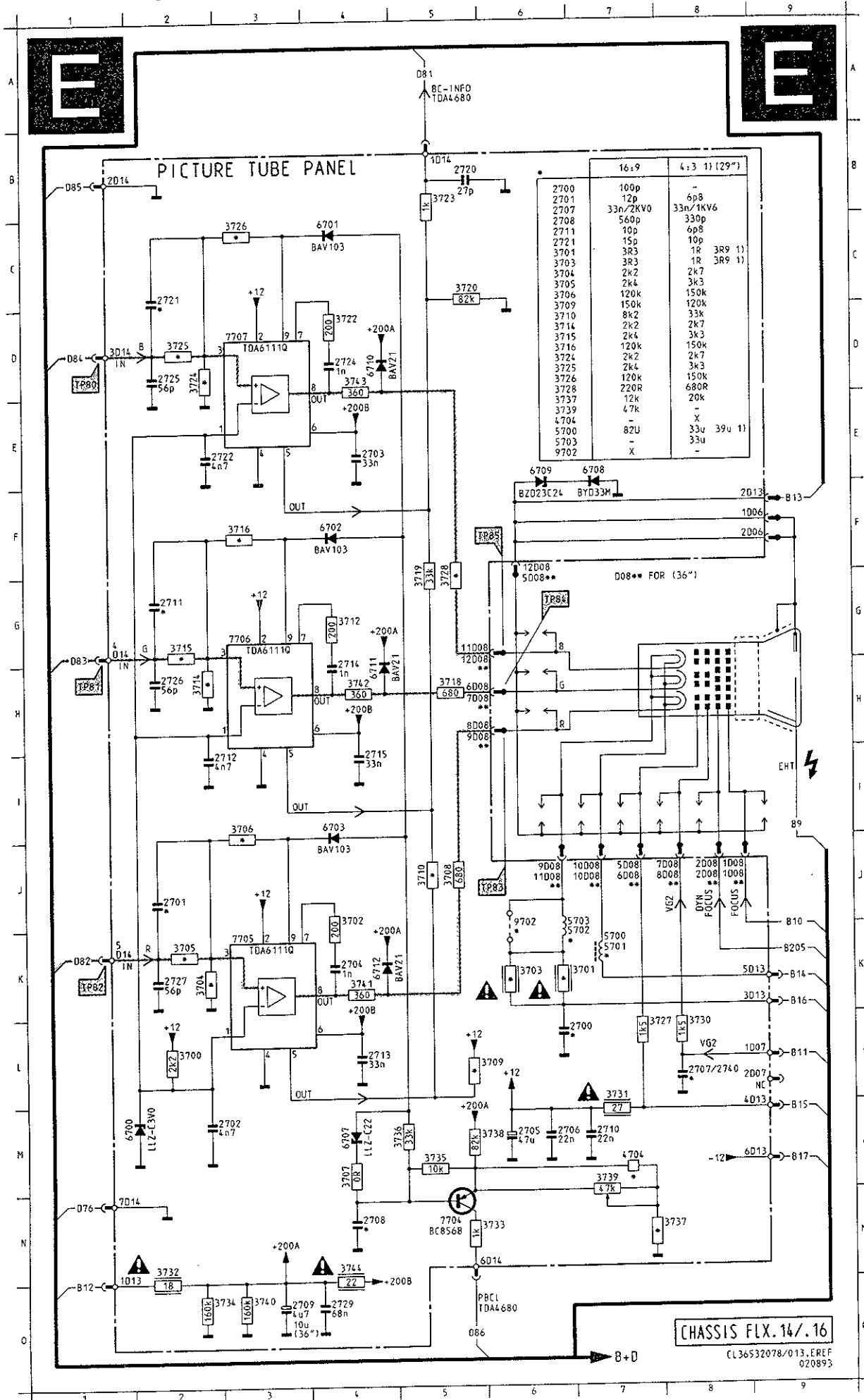


FL X.14/16 picture tube:



D06 B1	3708 B2	5701 A2
D07 C2	3709 C3	5702 A2
D08 B1	3710 B3	5703 A2
D13 A1	3712 B2	6700 B3
D14 C3	3714 B3	6701 A2
2700 A2	3715 B3	6702 B2
2701 C3	3716 B3	6703 C2
2702 B3	3718 C2	6707 C2
2703 B3	3719 B3	6708 C1
2704 C2	3720 A3	6709 C1
2705 A3	3722 B2	6710 B2
2706 B3	3723 B3	6711 C2
2707 C1	3724 A3	6712 B2
2708 C3	3725 B3	7704 C3
2709 C2	3726 A3	7705 C3
2710 B3	3727 C1	7706 B3
2711 B3	3728 B2	7707 B3
2712 B3	3730 C2	9702 A2
2713 C3	3731 A3	9710 B3
2714 B2	3732 A1	9713 B3
2715 B3	3733 C3	9718 A3
2720 C3	3734 C2	9730 A1
2721 B3	3735 C2	9740 B2
2722 A3	3736 C2	
2724 B2	3738 C2	
2725 B3	3739 C3	
2726 C3	3740 C2	
2727 C3	3741 B2	
2729 C2	3742 B2	
2740 C1	3743 B2	
3700 C3	3744 C3	
3701 A2	3750 B1	
3702 C2	3751 B1	
3703 A1	4701 C3	
3704 B3	4702 B3	
3705 C3	4703 C3	
3706 B3	4704 C3	
3707 C2	5700 A1	

# Picture tube panel

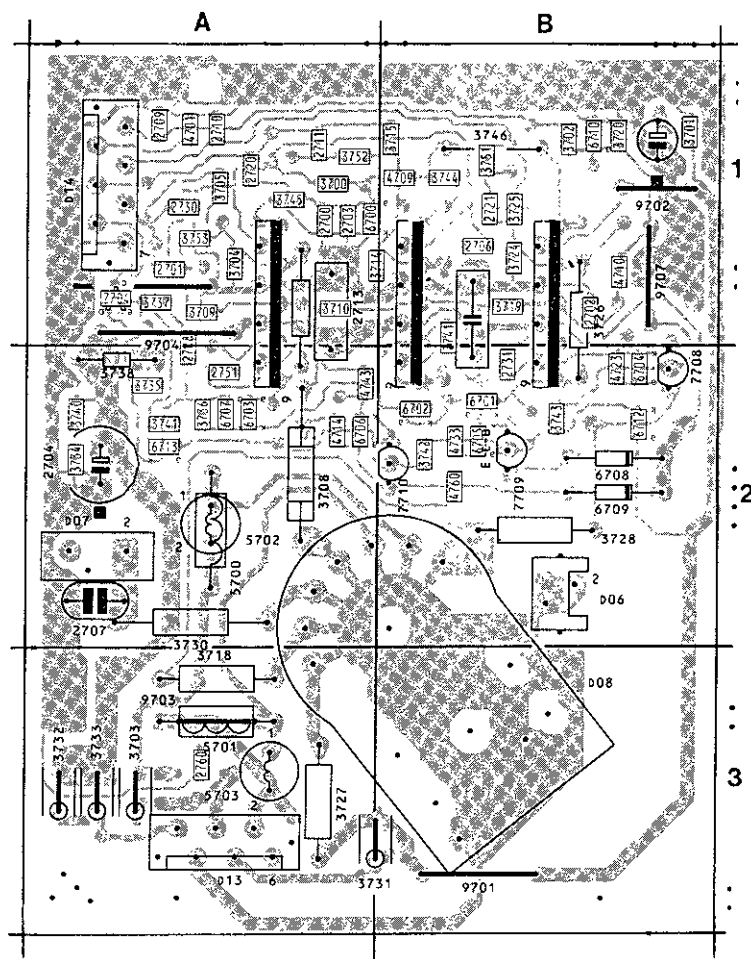


- 3 6701 A3
- 3 6702 B3
- 3 6703 B3
- 3 6707 C3
- 4 6708 C2
- 4 6709 C2
- 4 6710 B3
- 2 6711 C3
- 3 6712 B3
- 3 7704 C4
- 3 7705 B3
- 4 7706 B3
- 4 7707 A3
- 4 9708 B1
- 3 9708 A2
- 3 9708 B1
- 3 9710 B4
- 2 8711 A4
- 2 8712 B1
- 3 9713 B4
- 3 9714 C2
- 3 9718 B3

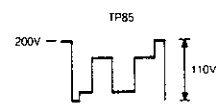
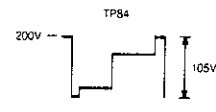
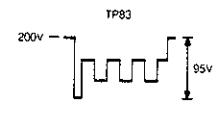
- 5701 A2
- 5702 A2
- 5703 A2
- 6700 B3
- 6701 A2
- 6702 B2
- 6703 C2
- 6707 C2
- 6708 C1
- 6709 C1
- 6710 B2
- 6711 C2
- 6712 B2
- 7704 C3
- 7705 C3
- 7706 B3
- 7707 B3
- 9702 A2
- 9710 B3
- 9713 B3
- 9718 A3
- 9730 A1
- 9740 B2

- 2700 K 6
- 2701 J 2
- 2702 M 2
- 2703 L 4
- 2704 K 4
- 2705 M 6
- 2706 M 6
- 2707 L 8
- 2708 N 4
- 2709 E 7
- 2710 M 7
- 2711 G 2
- 2712 I 2
- 2713 E 4
- 2714 H 4
- 2715 J 4
- 2720 B 5
- 2721 C 2
- 2722 E 2
- 2724 O 4
- 2725 H 2
- 2726 H 2
- 2727 K 2
- 2729 E 6
- 3700 L 2
- 3701 K 6
- 3702 J 4
- 3703 K 6
- 3704 X 2
- 3705 X 2
- 3706 I 3
- 3707 M 4
- 3708 J 5
- 3709 L 5
- 3710 J 5
- 3712 G 4
- 3714 H 2
- 3715 G 2
- 3716 F 3
- 3718 H 5
- 3719 G 5
- 3720 C 5
- 3722 D 4
- 3723 B 5
- 3724 D 2
- 3726 C 3
- 3727 X 7
- 3728 G 5
- 3730 K 8
- 3731 L 7
- 3732 D 8
- 3733 N 5
- 3734 E 8
- 3735 M 5
- 3736 M 5
- 3737 N 6
- 3738 M 5
- 3739 M 6
- 3740 E 7
- 3741 K 4
- 3742 H 4
- 3743 D 4
- 3744 D 6
- 4709 I 2
- 5700 J 7
- 6700 M 1
- 6701 C 4
- 6702 F 4
- 6703 I 4
- 6707 M 4
- 6708 E 7
- 6709 E 6
- 6710 D 4
- 6711 K 4
- 6712 K 4
- 7704 N 5
- 7705 K 3
- 7706 G 3
- 7707 D 3

FL 1.17 picture tube:



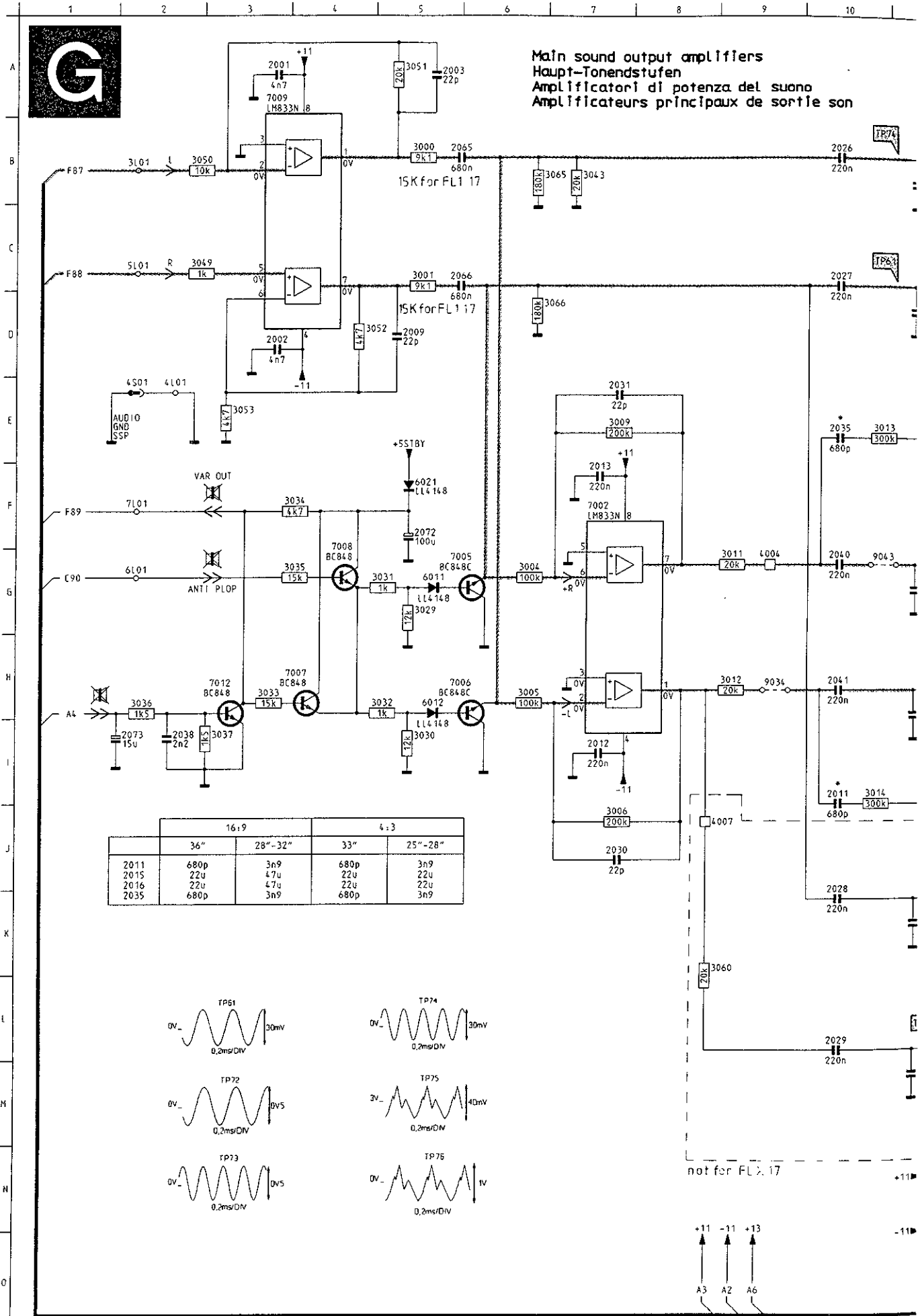
- |         |         |
|---------|---------|
| 2700 A1 | 4709 B1 |
| 2701 A1 | 4710 B1 |
| 2702 B1 | 4714 A2 |
| 2703 A1 | 4723 B2 |
| 2704 A2 | 4733 B2 |
| 2705 B1 | 4743 A2 |
| 2706 B1 | 4760 B2 |
| 2707 A2 | 5700 A2 |
| 2708 A2 | 5701 A3 |
| 2709 A1 | 5702 A2 |
| 2710 A1 | 5703 A3 |
| 2711 A1 | 6700 A1 |
| 2713 A1 | 6701 B2 |
| 2715 B1 | 6702 B2 |
| 2720 A1 | 6703 A2 |
| 2721 B1 | 6704 B2 |
| 2730 A1 | 6705 B2 |
| 2731 B2 | 6706 A2 |
| 2741 B1 | 6707 A2 |
| 2751 A2 | 6708 B2 |
| 2760 A3 | 6709 B2 |
| 3700 A1 | 6710 B1 |
| 3701 B1 | 6711 B2 |
| 3702 B1 | 6712 B2 |
| 3703 A3 | 6713 A2 |
| 3704 A1 | 7704 A1 |
| 3705 A1 | 7705 A1 |
| 3706 A1 | 7706 B1 |
| 3708 A2 | 7707 B1 |
| 3709 A1 | 7708 B2 |
| 3710 A1 | 7709 B2 |
| 3714 A1 | 7710 B2 |
| 3715 B1 | 9701 B3 |
| 3716 B1 | 9702 B1 |
| 3718 A3 | 9703 A3 |
| 3719 B1 | 9704 A1 |
| 3720 B1 | 9705 A1 |
| 3724 B1 | 9706 A3 |
| 3725 B1 | 9707 B1 |
| 3726 B1 | D06 B2  |
| 3727 A3 | D07 A2  |
| 3728 B2 | D08 B2  |
| 3730 A2 | D13 A3  |
| 3731 A3 | D14 A1  |
| 3732 A3 |         |
| 3733 A3 |         |
| 3734 A2 |         |
| 3735 A2 |         |
| 3736 A2 |         |
| 3737 A1 |         |
| 3738 A2 |         |
| 3740 A2 |         |
| 3741 A2 |         |
| 3742 B2 |         |
| 3743 B2 |         |
| 3744 B1 |         |
| 3745 A1 |         |
| 3746 B1 |         |
| 3748 A2 |         |
| 3751 B1 |         |
| 3752 A1 |         |
| 3753 A1 |         |
| 4701 A1 |         |



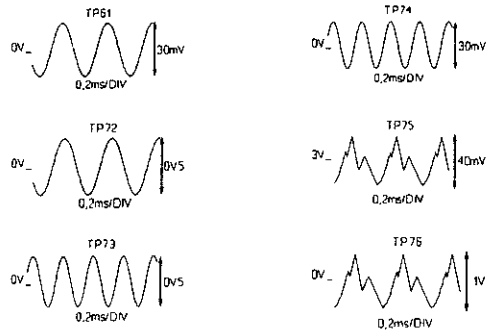




Main sound output amplifiers  
 Haupt-Tonendstufen  
 Amplificatori di potenza del suono  
 Amplificateurs principaux de sortie son



	16:9		4:3	
	36"	28"-32"	33"	25"-28"
2011	680p	3n9	680p	3n9
2015	22u	47u	22u	22u
2016	22u	47u	22u	22u
2035	680p	3n9	680p	3n9

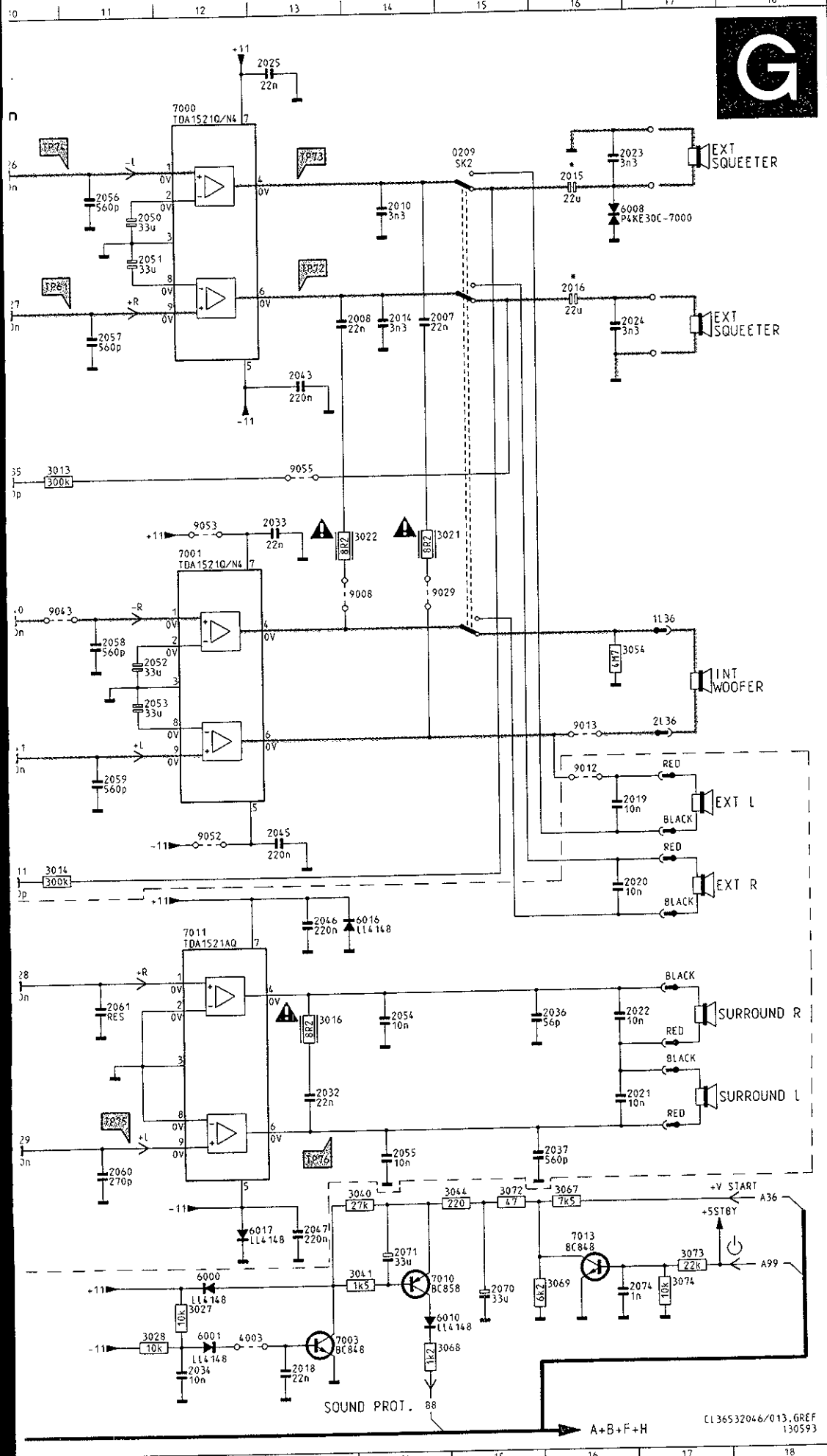


not for FL 17

+11 -11 +13 -11

A3 A2 A6

# Amplificateur audio



0209	B15	7001	F12
2001	A 3	7002	F 7
2002	O 3	7003	O13
2003	A 5	7005	G 5
2007	D14	7006	H 5
2008	O14	7007	H 3
2009	O 5	7008	G 4
2010	814	7009	A 3
2011	110	7010	N14
2012	I 7	7011	J12
2013	F 7	7012	H 3
2014	D14	7013	M16
2015	B16	9008	F14
2016	C16	9012	H16
2018	O13	9013	H16
2019	I16	9029	F14
2020	J16	9034	H 9
2021	L16	9043	G10
2022	K16	9052	F12
2023	B16	9053	F12
2024	D16	9055	E13
2025	A13		
2026	B10		
2027	C10		
2028	K10		
2029	L10		
2030	J 7		
2031	E 7		
2032	L13		
2033	F13		
2034	O12		
2035	E10		
2036	K16		
2037	M16		
2038	I 2		
2040	G10		
2041	H10		
2043	D13		
2045	I13		
2046	J13		
2047	M13		
2050	B11		
2051	C11		
2052	G11		
2053	H11		
2054	K14		
2055	M14		
2056	B11		
2057	D11		
2058	G11		
2059	H11		
2060	M11		
2061	K11		
2065	B 5		
2066	C 5		
2070	N15		
2071	N14		
2072	F 5		
2073	I 2		
2074	M16		
3000	B 5		
3001	C 5		
3004	G 6		
3005	H 6		
3006	J 7		
3009	E 7		
3011	G 9		
3012	H 9		
3013	E10		
3014	I10		
3016	K13		
3021	F14		
3022	F14		
3027	N12		
3028	N11		
3029	G 5		
3030	I 5		
3031	G 5		
3032	H 5		
3033	H 3		
3034	F 4		
3035	G 4		
3036	H 2		
3037	I 3		
3040	M14		
3041	N14		
3043	B 7		
3044	M15		
3049	C 2		
3050	B 2		
3051	A 5		
3052	D 4		
3053	E 3		
3054	G16		
3060	K 8		
3065	B 6		
3066	D 6		
3067	M16		
3068	O14		
3069	N16		
3072	M15		
3073	N17		
3074	N17		
4003	N12		
4004	G 9		
4007	J 8		
6000	N12		
6001	N12		
6008	B16		
6010	N14		
6011	G 5		
6012	H 5		
6016	J14		
6017	M12		
6021	F 5		
7000	A12		

LI36532046/013, GRÉF 130593

01	F1	2073	D4	2520	E2	3209	G1	3413	B3	3538	D3	4524	C4	6357	H4	7512	C3	9238	G3
02	E1	2074	A5	2521	D1	3210	F3	3414	B3	3539	D1	4525	C4	6370	H4	7513	C3	9239	B4
03	A1	2075	D5	2522	D1	3211	G3	3415	B3	3540	C4	4527	D3	6371	H4	7530	F1	9240	B4
08	C4	2076	B5	2523	C1	3212	F3	3416	B3	3541	C4	4528	D4	6372	E3	7540	C4	9241	E3
13	C4	2077	B5	2523	C1	3213	F3	3417	B3	3542	C4	4529	D4	6373	E3	7541	C4	9242	G2
27	B3	2200	H3	2524	D1	3214	E5	3418	B3	3543	C4	4530	D2	6375	E3	7542	C4	9243	E3
28	G1	2202	G2	2525	D2	3215	E5	3419	B3	3544	C4	4531	D2	6376	E3	7543	D2	9244	B4
30	A1	2203	H2	2528	C1	3216	F4	3420	B3	3545	E2	4533	C3	6402	B3	7550	D3	9246	E1
31	E2	2210	F4	2529	F1	3220	G4	3421	B3	3546	C4	4534	C3	6403	C3	7551	B4	9250	F2
33	G2	2211	F4	2530	F1	3230	F3	3422	B3	3547	C2	4535	C1	6404	C3	7552	B4	9251	F2
34	G2	2214	G4	2531	D3	3234	B4	3423	B3	3548	D2	4536	C1	6405	A1	7601	F1	9300	H5
35	G3	2215	G4	2533	D3	3236	B4	3424	B2	3549	D2	4537	C3	6417	B3	7602	F1	9302	H4
38	A2	2216	G5	2534	D3	3237	C4	3425	B3	3550	B4	4538	C3	6440	B3	7603	F1	9385	E2
37	A3	2218	F5	2535	C4	3238	C4	3426	A2	3553	B4	5204	H2	6441	B3	7608	F1	9400	C1
38	A2	2219	F5	2536	D3	3239	D3	3427	B3	3554	B4	5230	F4	6451	B1	7610	E1	9401	B2
39	F3	2230	B4	2537	D3	3240	E3	3428	C3	3555	B3	5231	E5	6452	B1	7616	A1	9402	B3
40	E3	2231	E4	2541	D4	3241	B4	3429	B3	3556	B3	5233	E4	6453	B1	7618	A2	9405	A1
51	G2	2232	E5	2542	C4	3243	B4	3430	B3	3557	C4	5235	E4	6465	A1	9000	A4	9406	B2
52	E5	2233	E4	2543	C4	3245	B4	3431	B3	3558	B3	5237	E3	6466	A1	9001	C5	9407	B2
55	G2	2234	E5	2545	C4	3246	E1	3437	A1	3559	B4	5241	C4	6467	A1	9002	A3	9450	B1
37	D4	2235	D3	2546	D2	3247	B4	3438	B2	3560	C3	5255	F3	6480	F1	9003	A4	9451	A1
38	C3	2236	D4	2547	C2	3248	B4	3439	B3	3561	C3	5260	E3	6481	F1	9010	C5	9453	B2
39	A2	2237	E3	2551	B4	3249	F3	3440	B1	3562	B4	5262	E3	6504	D1	9012	A4	9454	B2
30	G4	2238	D4	2552	B4	3250	F3	3441	B3	3563	B4	5308	H5	6506	C1	9013	A4	9456	B2
37	B2	2240	D4	2553	B4	3251	F3	3442	B3	3600	B2	5310	H5	6507	B4	9015	B4	9457	A1
K1	G3	2241	B4	2554	D4	3252	F3	3443	C3	3601	C2	5381	E3	6515	C3	9017	B5	9459	A3
K2	B3	2242	B4	2555	B3	3253	F2	3444	B2	3602	B2	5503	B1	6516	C3	9020	D5	9460	B2
207	A4	2254	F2	2556	B4	3254	F3	3445	B2	3603	B2	5504	C1	6517	C3	9022	A3	9461	B3
211	A3	2255	F2	2600	F1	3255	F3	3446	B2	3604	C2	5506	C1	6519	E2	9023	A4	9462	C4
39	H5	2256	F3	2601	B2	3256	F3	3450	A1	3605	C2	5510	D1	6520	E2	9024	A4	9468	B3
40	H4	2258	F3	2603	C2	3257	F3	3451	A1	3606	B2	5511	D3	6526	C1	9025	A5	9471	B2
200	G3	2260	E3	2604	B2	3266	F2	3452	B1	3607	B2	5514	F2	6527	C1	9026	A4	9472	A2
001	G1	2261	E3	2605	F1	3267	F2	3455	A1	3608	F1	5520	E2	6529	F1	9027	A5	9473	B2
002	G1	2262	E3	2606	C3	3268	G2	3456	A2	3609	F1	5521	E1	6535	D3	9028	A5	9501	D2
003	G1	2263	E2	2607	B3	3270	F2	3457	A2	3610	F1	5524	D1	6536	C3	9031	C4	9503	E2
004	G1	2264	F3	2609	F1	3271	F2	3458	A1	3611	F1	5525	C4	6538	B2	9032	C5	9504	E2
005	G1	2270	G1	2610	F1	3272	F2	3459	A1	3612	E1	5526	E1	6542	C4	9033	C5	9505	C1
007	B5	2272	G2	2611	F1	3273	G2	3460	B1	3614	F1	5527	C1	6546	C2	9034	C5	9506	D1
008	B5	2302	H5	2613	F1	3274	F2	3461	A1	3615	F1	5534	D3	6547	D3	9035	A4	9507	C1
009	G1	2303	H5	2614	F1	3275	G2	3462	A1	3616	F1	5536	D3	6551	B4	9036	A4	9508	B2
010	A4	2308	H5	2615	F1	3298	F5	3463	A1	3617	F1	5543	D4	6601	E1	9037	B3	9511	C2
011	D5	2321	H5	2626	A2	3299	F5	3464	A1	3618	B2	5548	D1	6629	B2	9038	B3	9513	D1
012	C5	2331	H4	3000	D4	3300	H5	3465	A2	3619	F1	5555	D3	7000	C5	9039	B1	9520	D2
013	C5	2351	H4	3001	D5	3304	H5	3466	A1	3620	F1	6000	A5	7001	D5	9041	C4	9521	E1
014	A3	2360	H4	3004	C5	3305	H5	3467	B2	3621	E1	6001	A5	7002	C5	9042	C4	9522	D1
015	A3	2361	H4	3005	D5	3306	F3	3468	A1	3622	E1	6008	A3	7003	A5	9043	D5	9524	E1
016	A3	2365	H4	3006	C5	3308	H5	3469	A1	3623	E1	6010	A5	7005	D5	9045	D4	9530	B2
018	A5	2372	H4	3009	C5	3309	H5	3470	A1	3624	E1	6011	D5	7006	D5	9046	D4	9533	C2
019	A4	2374	H4	3011	C5	3310	H5	3471	A1	3625	E1	6012	D5	7007	D5	9047	E5	9535	C3
020	A4	2376	H4	3012	C5	3311	H5	3473	B1	3626	B2	6016	B5	7008	D5	9048	D4	9537	C3
021	A4	2380	E3	3013	D4	3312	H5	3474	A2	3627	A1	6017	E4	7009	G1	9050	A3	9539	C3
022	A4	2381	E3	3014	D4	3313	H5	3479	F2	3628	A1	6021	D4	7010	A5	9051	D4	9541	D2
023	A3	2382	E3	3015	B5	3314	H5	3480	B1	3629	B2	6201	F3	7011	B5	9052	D4	9542	C2
024	A3	2386	E3	3016	B5	3317	H5	3481	F2	3630	A2	6210	G3	7012	D4	9053	D5	9543	C2
025	C5	2401	B3	3019	B5	3320	H5	3482	F2	3631	A2	6211	F3	7013	A5	9054	D4	9544	D1
026	B5	2402	A2	3020	B5	3321	H5	3483	B3	3632	C3	6212	F4	7201	F3	9055	A4	9545	C2
027	C5	2403	A2	3021	B5	3322	H5	3484	B3	3633	A2	6213	F4	7216	G5	9056	A4	9546	D2
028	A5	2404	A2	3022	C5	3331	H4	3485	E2	3634	A1	6216	F5	7241	B4	9057	C5	9547	D1
029	B5	2405	A2	3027	A5	3332	H4	3490	B3	4000	A5	6220	G4	7242	B4	9058	G2	9548	D1
030	C5	2406	B3	3028	A5	3350	H4	3500	B2	4001	D5	6221	G5	7246	E1	9059	G1	9549	E1
031	C5	2407	B2	3029	D5	3351	H4	3501	B2	4002	B5	6230	E4	7250	F3	9060	G1	9550	C1
032	B5	2408	C3	3030	D5	3356	H4	3502	B1	4003	A5	6231	E4	7251	F3	9063	B5	9551	C1
033	D5	2409	B2	3031	D5	3357	H4	3503	B1	4004	C5	6232	E4	7256	F3	9064	B5	9552	F1
034	A5	2410	B2	3032	D5	3358	H4	3504	D1	4005	C5	6233	E4	7268	F2	9065	B4	9555	D1
035	C5	2411	B2	3033	D4	3359	H4	3505	D1	4006	D5	6235	D3	7270	F2	9066	B5	9556	C1
036	A4	2412	C3	3034	D4	3360	H4	3506	C1	4007	C5	6237	E3	7272	G2	9067	A3	9557	E2
037	A4	2415	A3	3035	D5	3362	H4	3507	D1	4010	A3	6238	E3	7273	G2	9068	G3	9560	D3
038	D4	2416	B3	3036	D4	3364	H4	3508	C1	4011	B3	6247	B4	7274	G1	9200	E5	9561	C3
039	A4	2417	B3	3037	D4	3365	H4	3509	C2	4012	A3	6251	F3	7305	H5	9201	F5	9562	C3
040	D5	2418	A3	3040	A5	3366	H4	3510	D1	4019	E3	6254	F3	7311	H5	9202	D3	9563	C3
041	D5	2419	A2	3041	A5	3368	H4	3512	C3	4039	B1	6255	F3	7312	H5	9203	D4	9565	B4
042	C5	2450	A1	3043	C4	3370	H4	3513	C3	4274	G2	6260	E3	7318	H5	9204	G2	9566	D3
043	C5	2451	B1	3044	A5	3371	H4	3514	F2	4275	G1	6262	E3	7320	H4	9205	H1	9567	D3
044	D5	2452	B1	3049	G1	3372	H4	3515	C2	4404	A1	6266	F2	7360	H4	9206	H1	9614	E3
045	D5	2454	A2	3050	G1	3373	H4	3516	C2	4410	B2	6272	G2	7369	H4	9207	G1	9615	B2
046	B5	2455	B1	3051	G1	3374	H4	3517	C2	4411	B2	6280	C4	7370	H4	9216	G2		
047	B5	2456	A2	3052	G1	3375	H4	3518	E2	4412	B2	6302	H5	7371	H4	9217	G2		
049	A4	2457	A2	3053	G1	3376	E3	3519	E2	4413	B3	6303	H5	7380	E3	9218	H1		
050	C5	2458	B1	3054	A2	3378	H4	3520	E2	4415	E2	6304	H5	7381	E3	9219	E3		
051	C5	2459	B1	3060	B5	3380	E3	35											







< 2% 0,25W	3357	4822 050 27871	787Ω 1% 0,6W
< 2% 0,25W	3357	4822 050 21542	1k54 1% 0,6W
3k 5% 0,5W			
< 7 2% 0,25W	3358	4822 116 52183	16Ω 5% 0,5W
3k 2% 0,25W	3359	4822 050 21602	1k6 1% 0,6W
< 5 2% 0,25W	3360	4822 051 10122	1k2 2% 0,25W
< 5 2% 0,25W	3362	4822 051 10151	150Ω 2% 0,25W
7k 2% 0,25W	3364	4822 051 10471	470Ω 2% 0,25W
< 5 2% 0,25W	3365	4822 051 10221	220Ω 2% 0,25W
	3366	4822 051 10221	220Ω 2% 0,25W
	3368	4822 053 10271	270Ω 5% 1W
	3368	4822 116 52226	560Ω 5% 0,5W
	3369	4822 116 52226	560Ω 5% 0,5W
3k 2% 0,25W			
20Ω 2% 0,25W			
< 2% 0,25W			
3k 2% 0,25W			
3k 2% 0,25W	3370	4822 051 10332	3k3 2% 0,25W
< 7 2% 0,25W	3371	4822 100 11348	1k 30% lin 0,1W
< 7 2% 0,25W	3372	4822 051 10561	560Ω 2% 0,25W
V7 5% 0,5W	3374	4822 116 52301	75k 5% 0,5W
3k 2% 0,25W	3375▲	4822 051 10242	2k4 2% 0,25W
30Ω 2% 0,25W	3376	4822 116 52175	100Ω 5% 0,5W
	3378	4822 051 10101	100Ω 2% 0,25W
30k 2% 0,25W	3380	4822 051 10152	1k5 2% 0,25W
< 8 5% 0,5W	3381	4822 051 10152	1k5 2% 0,25W
< 2 5% 0,5W	3382▲	4822 051 10103	10k 2% 0,25W
< 7 2% 0,25W	3383▲	4822 051 10103	10k 2% 0,25W
7Ω 2% 0,25W	3385	4822 051 10223	22k 2% 0,25W
2k 5% 0,5W	3402	4822 051 10562	5k6 2% 0,25W
3k 2% 0,25W	3403	4822 051 10229	22Ω 2% 0,25W
V7 5% 0,5W	3404	4822 051 10182	1k8 2% 0,25W
V2 5% 0,5W	3404	4822 051 10332	3k3 2% 0,25W
	3405	4822 051 10333	33k 2% 0,25W
	3406	4822 100 11483	10k 30% lin 0,1W
70Ω 10% 0,5W	3407	4822 051 10561	560Ω 2% 0,25W
TC/NTC	3408	4822 051 10563	56k 2% 0,25W
5Ω 10% 7W			
20k 5% 0,5W			
20k 5% 0,5W	3409	4822 116 52292	560k 5% 0,5W
30k 5% 0,5W	3409	4822 116 52288	510k 5% 0,5W
3k 2% 0,25W	3410	4822 100 11213	22k 30% lin 0,1W
3k 10% 5W	3411	4822 051 10104	100k 2% 0,25W
± 5% 0,33W	3411	4822 051 10913	91k 2% 0,25W
< 30% lin 0,1W	3411	4822 051 10753	75k 2% 0,25W
	3411	4822 051 10124	120k 2% 0,25W
	3413	4822 051 10101	100Ω 2% 0,25W
	3414	4822 051 10154	150k 2% 0,25W
	3415	4822 100 11392	47k 30% lin 0,1W
	3416	4822 116 81223	1M2 5%
	3417▲	4822 116 52256	2k2 5% 0,5W
	3418	4822 051 10201	200Ω 2% 0,25W
	3419▲	4822 052 10229	22Ω 5% 0,33W
	3420	4822 050 23905	3M9 1% 0,6W
	3420	4822 116 52305	820k 5% 0,5W
	3421	4822 116 52263	2k7 5% 0,5W
	3422	4822 116 81223	1M2 5% 0,5W
	3422	4822 116 83029	1M3 5% 0,5W
	3422	4822 116 81783	1M5 5% 0,5W
	3423	4822 116 52305	820k 5% 0,5W
	3423	4822 116 52235	1M 5% 0,5W
	3423	4822 117 10612	1M1 5% 0,5W
	3424	4822 051 10221	220Ω 2% 0,25W
	3425	4822 051 10124	120k 2% 0,25W
	3426	4822 051 10331	330Ω 2% 0,25W
	3427	4822 051 10474	470k 2% 0,25W
	3428	4822 116 52271	33k 5% 0,5W
	3429	4822 050 11002	1k 1% 0,4W
	3430▲	4822 051 10103	10k 2% 0,25W
	3431	4822 051 10333	33k 2% 0,25W
	3437	4822 116 52224	470Ω 5% 0,5W
	3438	4822 116 52175	100Ω 5% 0,5W
	3439	4822 116 52247	16k 5% 0,5W
	3440	4822 051 20222	2k2 5% 0,1W
	3441	4822 051 10622	8k2 2% 0,25W
	3442	4822 051 10332	3k3 2% 0,25W
	3443	4822 051 10112	1k1 2% 0,25W
	3444▲	4822 051 10103	10k 2% 0,25W
	3445	4822 051 10223	22k 2% 0,25W
	3446	4822 051 10273	27k 2% 0,25W
	3450	4822 051 10432	4k3 2% 0,25W
	3451	4822 051 10432	4k3 2% 0,25W
	3452▲	4822 052 10159	15Ω 5% 0,33W
	3455	4822 051 10471	470Ω 2% 0,25W
	3456	4822 051 10124	120k 2% 0,25W
	3456	4822 051 51204	120k 1% 0,125W
	3456	4822 051 10134	130k 2% 0,25W
	3457	4822 051 10822	8k2 2% 0,25W
	3457	4822 051 58202	8k2 1% 0,125W
	3457	4822 051 10912	9k1 2% 0,25W
	3458▲	4822 116 80676	1Ω 5% 0,5W
	3459▲	4822 116 80676	1Ω 5% 0,5W
	3460	4822 053 10271	270Ω 5% 1W

3460	4822 053 10391	390Ω 5% 1W
3461	4822 116 80176	1Ω 5% 0,5W
3462	4822 116 80176	1Ω 5% 0,5W
3463	4822 116 80176	1Ω 5% 0,5W
3465	4822 051 10681	680Ω 2% 0,25W
3466	4822 116 52243	1k5 5% 0,5W
3466	4822 116 52263	2k7 5% 0,5W
3466	4822 116 52279	4k3 5% 0,5W
3467	4822 100 20166	10k 30% lin 0,1W
3468	4822 053 12221	220Ω 5% 3W
3469	4822 050 11002	1k 1% 0,4W
3469	4822 116 52263	2k7 5% 0,5W
3469	4822 116 52279	4k3 5% 0,5W
3471	4822 051 20222	2k2 5% 0,1W
3471	4822 051 10182	1k8 2% 0,25W
3473	4822 116 52253	2k 5% 0,5W
3479	4822 051 10683	68k 2% 0,25W
3480	4822 116 52234	100k 5% 0,5W
3481	4822 051 10102	1k 2% 0,25W
3482	4822 051 10229	22Ω 2% 0,25W
3483	4822 051 10563	56k 2% 0,25W
3484	4822 051 10223	22k 2% 0,25W
3485	4822 051 10102	1k 2% 0,25W
3500	4822 116 52224	470Ω 5% 0,5W
3501	4822 051 10392	3k9 2% 0,25W
3502	4822 116 52299	7k5 5% 0,5W
3503	4822 116 52299	7k5 5% 0,5W
3504	4822 053 11108	1Ω 5% 2W
3505	4822 116 52191	33Ω 5% 0,5W
3505	4822 116 52195	47Ω 5% 0,5W
3506	4822 053 11108	1Ω 5% 2W
3507	4822 116 52191	33Ω 5% 0,5W
3507	4822 116 52195	47Ω 5% 0,5W
3508	4822 116 82773	1k8 10% 5W
3508	4822 116 83003	1k5 10% 5W
3509	4822 053 21154	150k 5% 0,5W
3510	4822 113 80592	150Ω 10% 5W
3512	4822 051 10331	330Ω 2% 0,25W
3513	4822 100 11319	4k7 30% lin 0,1W
3514	4822 116 52189	30Ω 5% 0,5W
3515▲	4822 052 10108	1Ω 5% 0,33W
3516▲	4822 052 10108	1Ω 5% 0,33W
3517▲	4822 052 11108	1Ω 5% 0,5W
3520▲	4822 052 11471	470Ω 5% 0,5W
3521▲	4822 052 11471	470Ω 5% 0,5W
3522▲	4822 052 11102	1k 5% 0,5W
3524	4822 116 81753	4Ω 2% 0,5W
3525	4822 116 80176	1Ω 5% 0,5W
3526	4822 053 10688	608 5% 1W
3527	4822 051 10102	1k 2% 0,25W
3528	4822 116 52207	1k2 5% 0,5W
3528	4822 116 52243	1k5 5% 0,5W
3529	4822 051 10104	100k 2% 0,25W
3530	4822 051 10474	470k 2% 0,25W
3531	4822 111 41575	33Ω 10%
3532▲	4822 050 23301	330Ω 1% 0,6W
3533▲	4822 050 23301	330Ω 1% 0,6W
3534▲	4822 052 11278	2Ω 5% 0,5W
3535▲	4822 052 11278	2Ω 5% 0,5W
3536	4822 116 52221	360Ω 5% 0,5W
3537	4822 116 52189	30Ω 5% 0,5W
3538	4822 050 21203	12k 1% 0,6W
3540	4822 116 52267	30k 5% 0,5W
3541	4822 116 52285	470k 5% 0,5W
3542	4822 051 10104	100k 2% 0,25W
3543	4822 051 10152	1k5 2% 0,25W
3544	4822 051 10393	39k 2% 0,25W
3545	4822 116 52208	130Ω 5% 0,5W
3547	4822 051 10518	5Ω 1% 0,25W
3548	4822 051 10392	3k9 2% 0,25W
3549	4822 051 10124	120k 2% 0,25W
3550	4822 051 10102	1k 2% 0,25W
3551	4822 052 10229	22Ω 5% 0,33W
3553▲	4822 053 11479	47Ω 5% 2W
3554	4822 051 10008	0Ω 5% 0,25W
3555	4822 051 10681	680Ω 2% 0,25W
3556	4822 051 10008	0Ω 5% 0,25W
3557	4822 051 10182	1k8 2% 0,25W
3558	4822 100 11348	1k 30% lin 0,1W
3559	4822 051 10182	1k8 2% 0,25W
3560▲	4822 052 10108	1Ω 5% 0,33W
3561	4822 051 10152	1k5 2% 0,25W
3562	4822 051 51102	1k1 1% 0,125W
3563	4822 051 10122	1k2 2% 0,25W
3600	4822 051 10912	9k1 2% 0,25W
3600	4822 051 10133	13k 2% 0,25W

3601	4822 051 10104	100k 2% 0,25W
3601	4822 051 10154	150k 2% 0,25W
3602	4822 100 20166	10k 30% lin 0,1W
3602	4822 100 11213	22k 30% lin 0,1W
3603	4822 051 10153	15k 2% 0,25W
3603	4822 051 10123	12k 2% 0,25W
3603	4822 051 10103	10k 2% 0,25W
3603	4822 051 20183	18k 5% 0,1W
3603	4822 051 10203	20k 2% 0,25W
3604	4822 051 10134	130k 2% 0,25W
3604	4822 051 10124	120k 2% 0,25W
3604	4822 051 10184	180k 2% 0,25W
3604	4822 051 10184	180k 2% 0,25W
3605	4822 051 10472	4k7 2% 0,25W
3605	4822 051 10133	13k 2% 0,25W
3605	4822 051 10243	24k 2% 0,25W
3606	4822 051 10153	15k 2% 0,25W
3606	4822 051 10333	33k 2% 0,25W
3606	4822 051 10223	22k 2% 0,25W
3607	4822 100 11213	22k 30% lin 0,1W
3608▲	4822 051 10103	10k 2% 0,25W
3609	4822 051 10473	47k 2% 0,25W
3610▲	4822 051 10472	4k7 2% 0,25W
3611	4822 051 20222	2k2 5% 0,1W
3614	4822 116 52243	1k5 5% 0,5W
3615	4822 116 52224	470Ω 5% 0,5W
3616	4822 051 10332	3k3 2% 0,25W
3617	4822 051 20222	2k2 5% 0,1W
3618	4822 051 10683	68k 2% 0,25W
3619	4822 051 20222	2k2 5% 0,1W
3620	4822 051 10622	6k2 2% 0,25W
3621	4822 051 10164	160k 2% 0,25W
3622	4822 116 80176	1Ω 5% 0,5W
3623	4822 116 80176	1Ω 5% 0,5W
3624	4822 116 52186	22Ω 5% 0,5W
3625	4822 116 52186	22Ω 5% 0,5W
3626	4822 116 52267	30k 5% 0,5W
3627▲	4822 051 10103	10k 2% 0,25W
3628	4822 116 52284	47k 5% 0,5W
3628	4822 116 52234	100k 5% 0,5W
3629	4822 051 10224	220k 2% 0,25W
3630	4822 051 10104	100k 2% 0,25W
3631	4822 051 10182	1k8 2% 0,25W
3632	4822 051 10101	100Ω 2% 0,25W
3633	4822 051 10153	15k 2% 0,25W
3633	4822 051 10244	240k 2% 0,25W
3633	4822 051 10104	100k 2% 0,25W
3633	4822 051 10204	200k 2% 0,25W
3633</		



